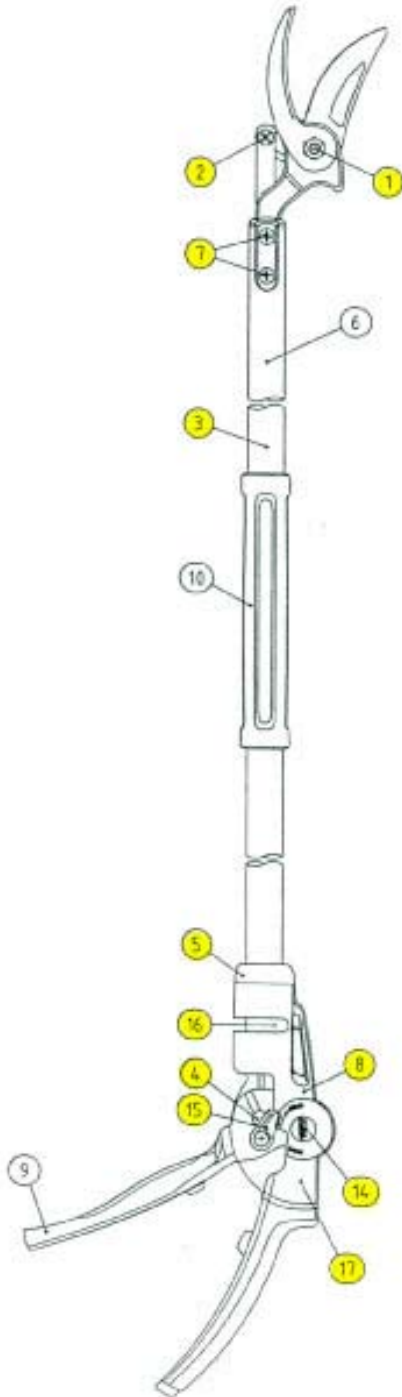


LA-180ZR18

SPARE PARTS DIAGRAM



- | | | |
|-----|----------|--|
| 1. | SP-ZR334 | Bolt, Washer, & Nut |
| 2. | SP-LA74 | Screw, Nut, & Washer |
| 3. | SP-ZR392 | Rod for LA-180ZR18 |
| 4. | SP-LA43 | End Cylinder for Inner Rod |
| 5. | SP-ZR339 | Sleeve for Grip |
| 6. | | Pipe |
| 7. | SP-ZR394 | Screws (2pcs), Attach Blade to ZR18 Pipe |
| 8. | SP-LA101 | Spring for Handle |
| 9. | | Grip Lever Only |
| 10. | | Middle Grip |
| 14. | SP-LA40 | Center Bolt & Nut for Grip |
| 15. | SP-ZR380 | Handle Latch Lock Set |
| 16. | SP-ZR400 | Stop Screw |
| 17. | SP-ZR348 | Grip (Handle) Set |

BLADE SETS:

- | | |
|-----------|----------------------------------|
| SP-180ZR1 | Replacement Cut & Hold Blade Set |
|-----------|----------------------------------|

*All highlighted items are available from inventory.
All others are available by Special Order.*