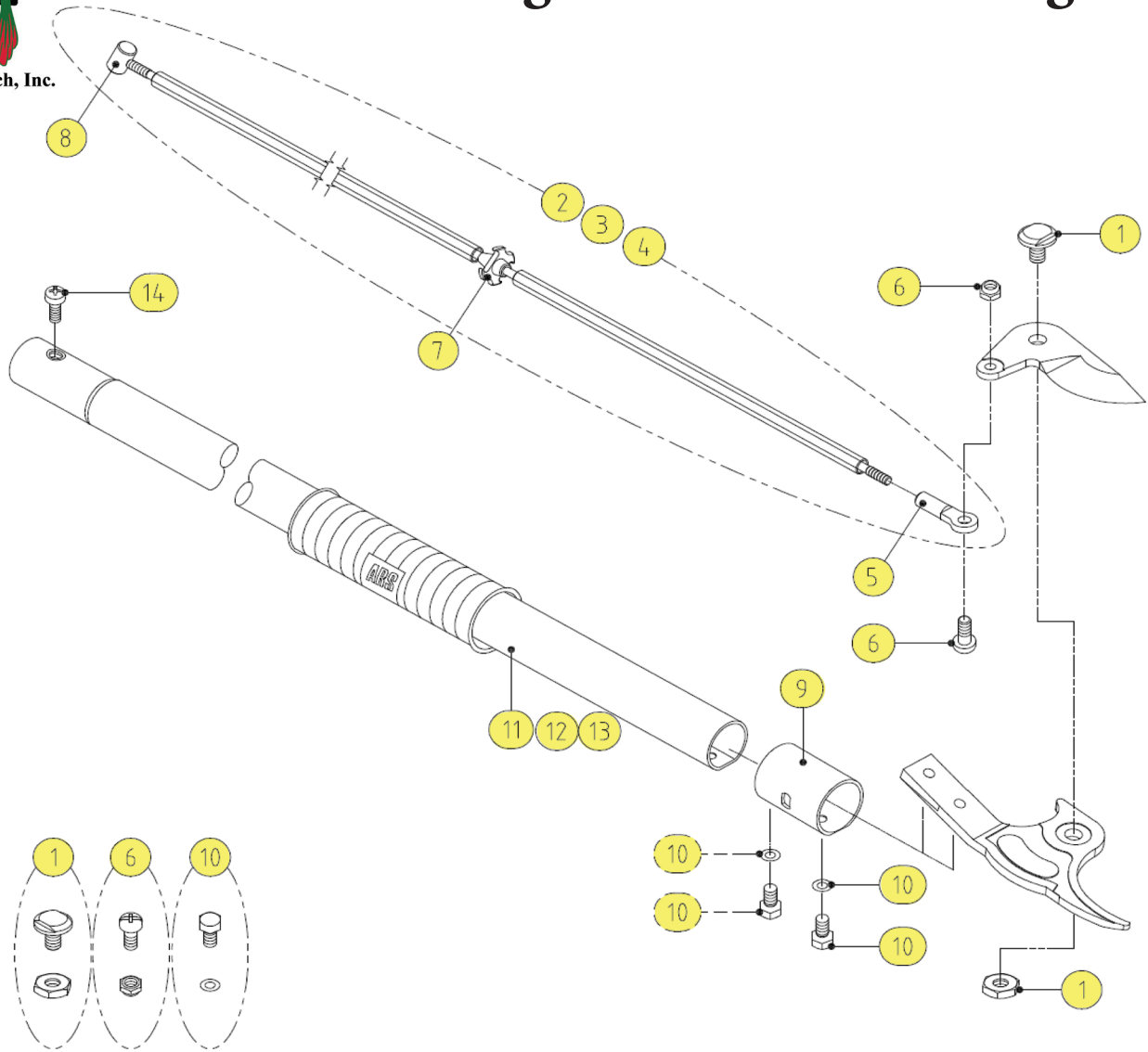




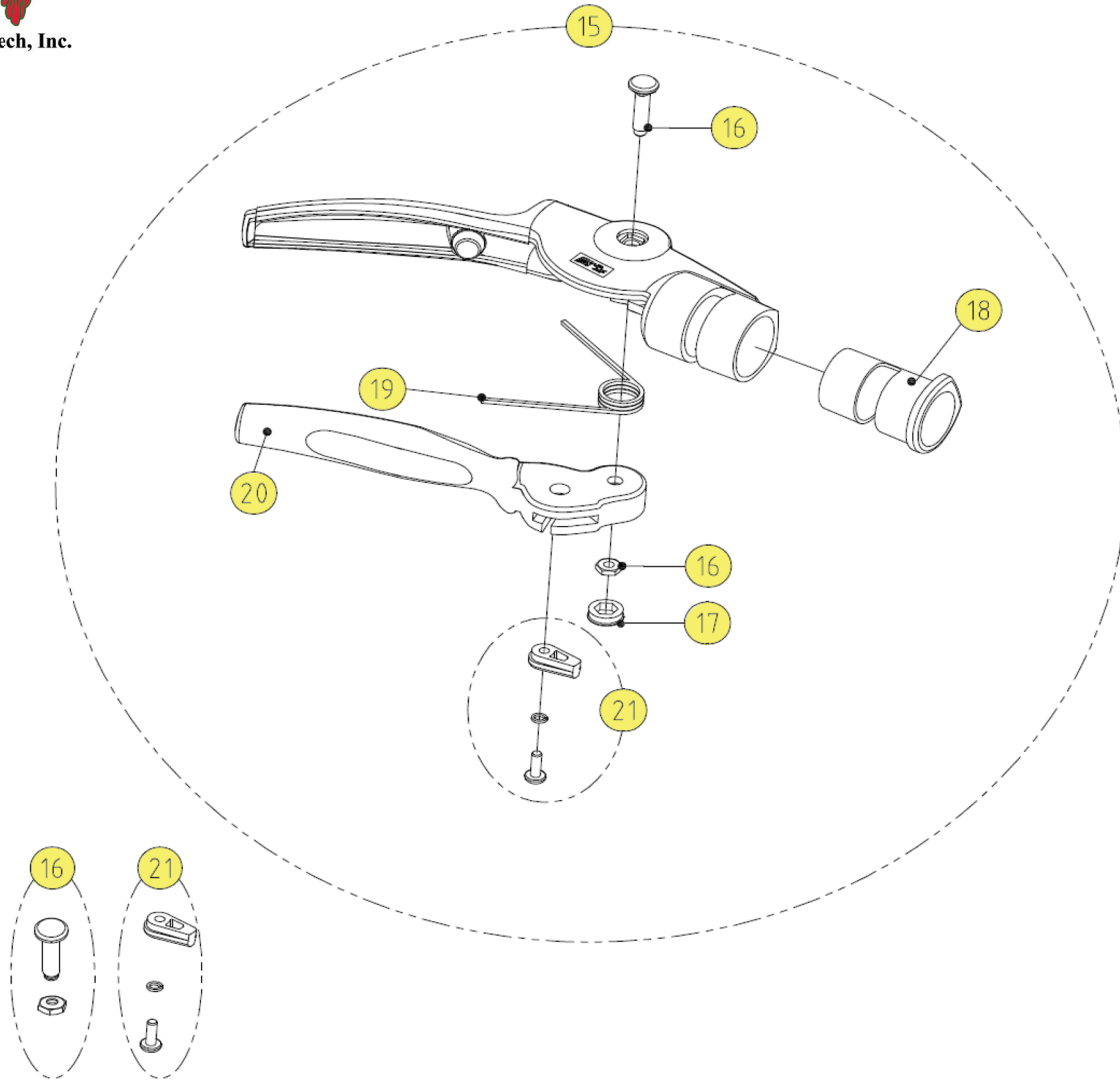
LR-Series ARS LongReach™ Pruners - Page 1 of 2



PARTS NO.	SPECIFICATION	PARTS NO.	SPECIFICATION
①	SP-LA216 BOLT & NUT FOR 180L/LR SERIES		BLADE SETS:
②	SP-LA446 ROD SET FOR 180LR-1.2	SP-180L1	Replacement Razor Edge Blade Set
③	SP-LA447 ROD SET FOR 180LR-1.8		
④	SP-LA448 ROD SET FOR 180LR-2.1		
⑤	SP-LA264 ROD CAP FOR 180L/LR SERIES		
⑥	SP-LA259 ROD FIXING BOLT & NUT FOR 180L/LR SERIES		
⑦	SP-LA235 ROD HOLDING DISK FOR 180L/LR SERIES		
⑧	SP-LA43 ROD FIXING PART FOR ZR/LR SERIES		
⑨	SP-LA435 BLADE FIXING COLLAR FOR 180L/LR SERIES		
⑩	SP-LA239 BLADE HOLDING BOLT & WASHER FOR 180L/LR SERIES (1PC EACH)		
⑪	SP-LA449 PIPE FOR 180LR-1.2 WITH MIDDLE GRIP		
⑫	SP-LA450 PIPE FOR 180LR-1.8 WITH MIDDLE GRIP		
⑬	SP-LA451 PIPE FOR 180LR-2.1 WITH MIDDLE GRIP		
⑭	SP-LA452 STOP SCREW FOR THE HANDLE OF 180LR SERIES		
			<i>All highlighted items are available from inventory. All others are available by Special Order.</i>



LR-Series ARS LongReach™ Pruners - Page 2 of 2



PARTS NO.	SPECIFICATION	PARTS NO.	SPECIFICATION
⑮	SP-ZR348 GRIP SET FOR ZR/ LR SERIES		
⑯	SP-LA40 CENTER BOLT & NUT FOR GRIP OF ZR/LR SERIES		
⑰	SP-ZR414 NUT CAP FOR THE HANDLE OF ZR/ LR SERIES		
⑱	SP-ZR339 SLEEVE FOR THE GRIP OF ZR/ LR SERIES		
⑲	SP-LA101 SPRING FOR LONG REACH PRUNER (1 PC)		<i>All highlighted items are available from inventory.</i>
⑳	SP-ZR349 GRIP LEVER ONLY FOR ZR/ LR SERIES		<i>All others are available by Special Order.</i>
㉑	SP-ZR380 HANDLE LATCH LOCK SET FOR ZR/ LR SERIES		