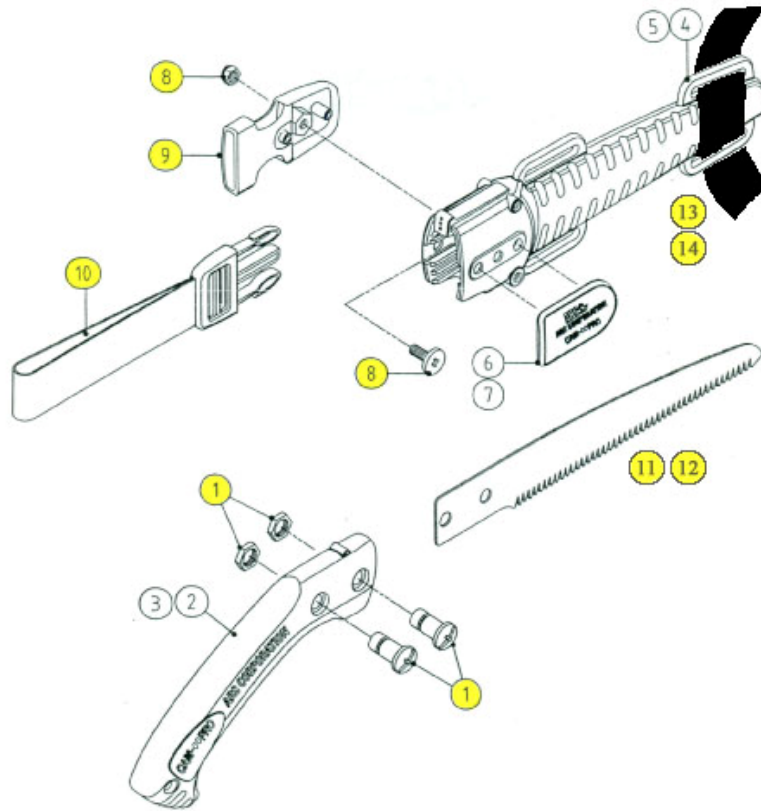


SA-CAM24PRO / CAM18PRO

SPARE PARTS DIAGRAM



- | | | |
|-----|-----------|------------------------------------|
| 1. | SP-PRO359 | Bolt & Nut |
| 2. | | Grip for CAM18PRO |
| 3. | | Grip for SA-CAM24PRO |
| 4. | | Sheath for CAM18PRO |
| 5. | | Sheath for SA-CAM24PRO |
| 6. | | Name Plate for SA-CAM18PRO |
| 7. | | Name Plate for SA-CAM24PRO |
| 8. | SP-PRO366 | Bolt & Nut for Belt Clip |
| 9. | SP-PRO367 | Belt Clip |
| 10. | SP-PRO368 | Belt |
| 11. | SB-24PRO1 | Spare Blade for SA-CAM24PRO |
| 12. | SB-18PRO1 | Spare Blade for SA-CAM18PRO |
| 13. | AC-PROST | ARS Double Ring Tension Leg Straps |
| 14. | ACC-VLST | Velcro Leg Straps (Set of 2) |

*All highlighted items are available from inventory.
All others are available by Special Order.*