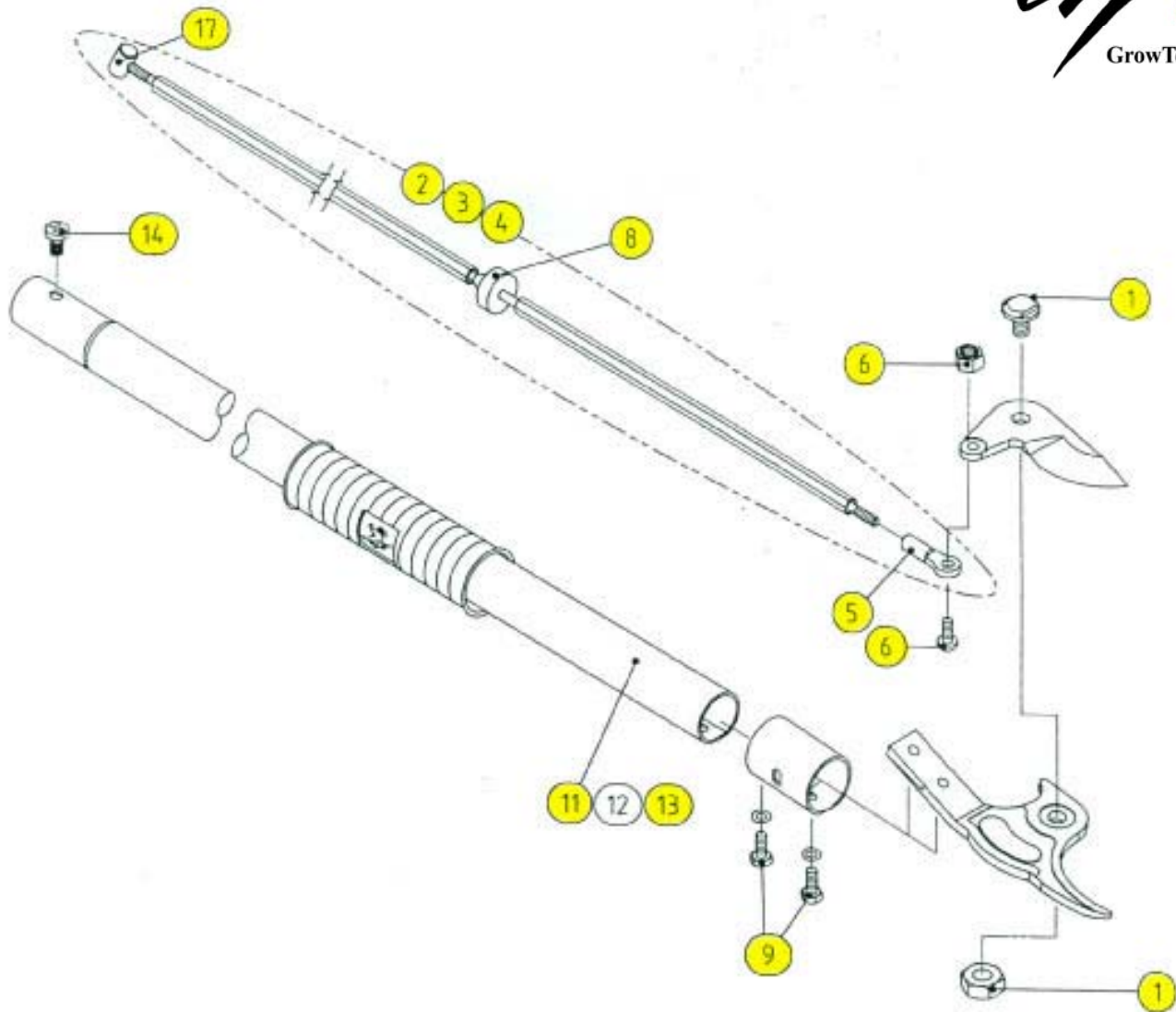


# L-Series Heavy Duty - Page 1 of 2

## SPARE PARTS DIAGRAM

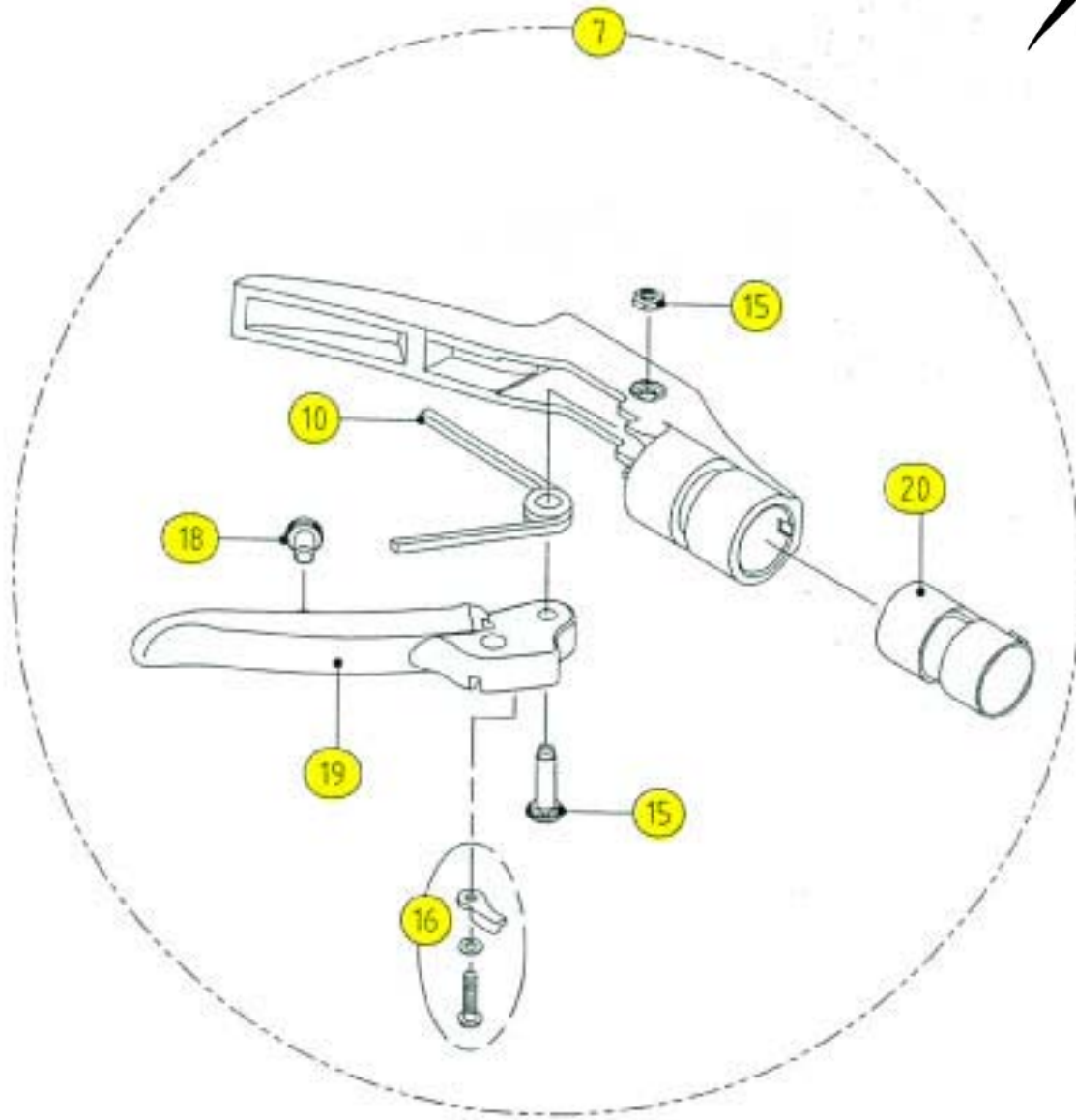


- |             |   |              |   |
|-------------|---|--------------|---|
| 1. SP-LA216 | Pivot Bolt for Blade Set                            | 11. SP-LA290 | Pipe for LA-180L12 — <b>Special Order</b> |
| 2. SP-LA236 | Rod Set for LA-180L12                               | 12.          | Pipe for LA-180L18                        |
| 3. SP-LA237 | Rod Set for LA-180L18                               | 13. SP-LA292 | Pipe for LA-180L21 — <b>Special Order</b> |
| 4. SP-LA238 | Rod Set for LA-180L21                               | 14. SP-LA39  | Stop Screw for Handle                     |
|             | (includes end cylinder and rod end cap)             | 17. SP-LA43  | End Cylinder for Rod                      |
| 5. SP-LA264 | Rod End Cap (Bolt with loop to attach blade to rod) |              |   |
| 6. SP-LA259 | Screw Set (attaches blade to rod)                   | BLADE SETS:  |   |
| 8. SP-LA235 | Rod Holding Disc                                    | SP-180L1     | Replacement Blade Set                     |
| 9. SP-LA239 | Bolt with Nut (attaches blade to pipe)              |              |   |

*All highlighted items are available from inventory.  
All others are available by Special Order.*

# L-Series Heavy Duty - Page 2 of 2

## SPARE PARTS DIAGRAM



- 7. SP-LA79 Complete Handle Set (includes spring, latch lock set, pivot bolt, shock absorber, grip lever, stop screw, sleeve for grip, and grip handle)
- 10. SP-LA101 Spring for Handle
- 15. SP-LA40 Pivot Bolt for Handle
- 16. SP-LA42 Latch Lock Set for Handle
- 18. SP-LAXRC Shock Absorber for Handle
- 19. SP-LA145 Grip Lever Only for Handle
- 20. SP-LA167 Sleeve for Grip

*All highlighted items are available from inventory.  
All others are available by Special Order.*