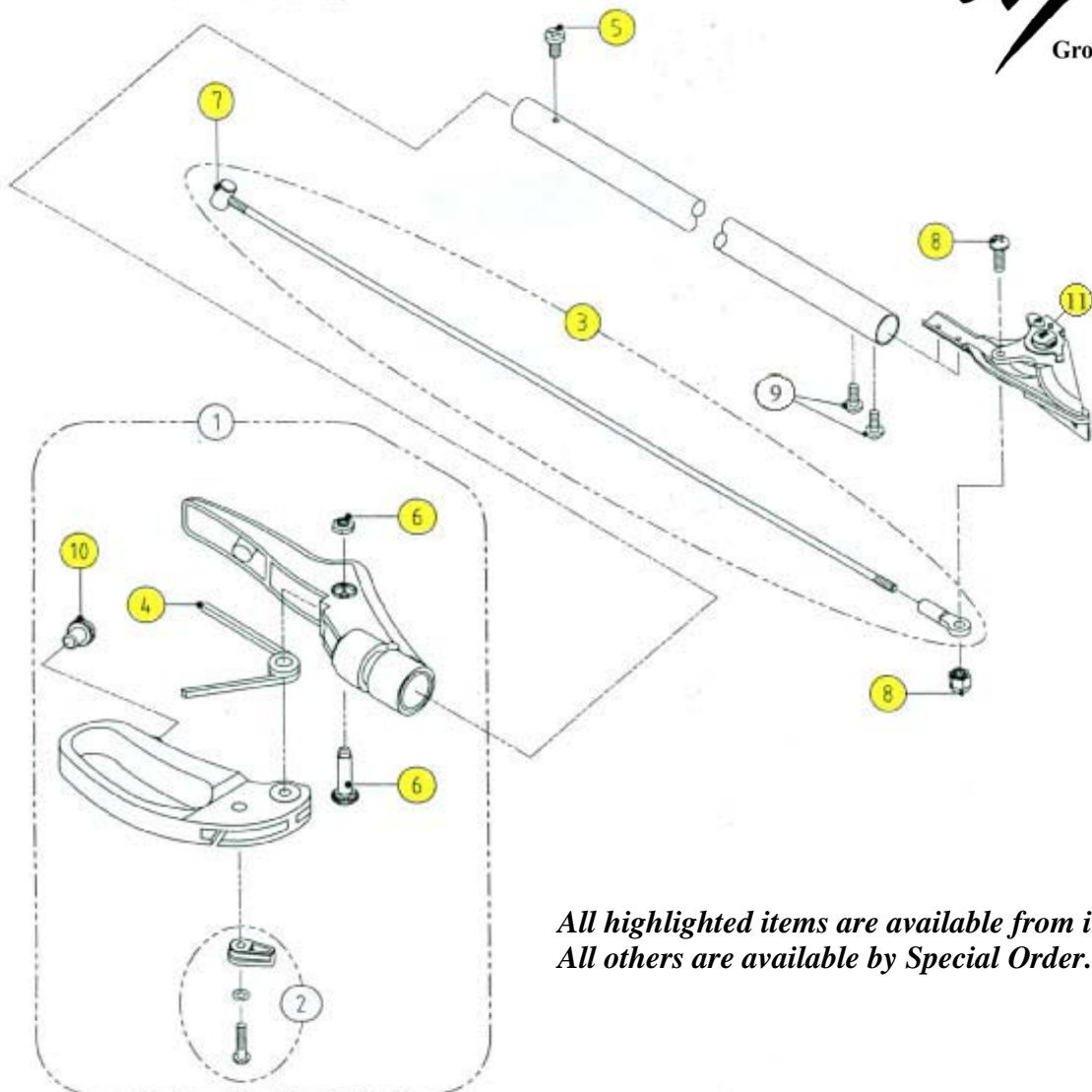


LA-15006

SPARE PARTS DIAGRAM



*All highlighted items are available from inventory.
All others are available by Special Order.*

- | | | | | |
|----|---|-----|----------|----------------------------------|
| 1. | Handle Set | 7. | SP-LA43 | End Cylinder for Inner Rod |
| 2. | Latch Lock Set for Handle | 8. | SP-LA44 | Screw Set, connects blade to rod |
| 3. | SP-LA125 Inner Rod (includes end cylinder SP-LA43 and end cap with loop SP-LA45) | 9. | | Screw |
| 4. | SP-LA155 Spring for Handle | 10. | SP-LAXRC | Rubber Cushion for Handle |
| 5. | SP-LA39 Stop Screw for Handle | 11. | SP-1501 | Replacement Blade Set |
| 6. | SP-LA40 Pivot Bolt for Handle | | | |