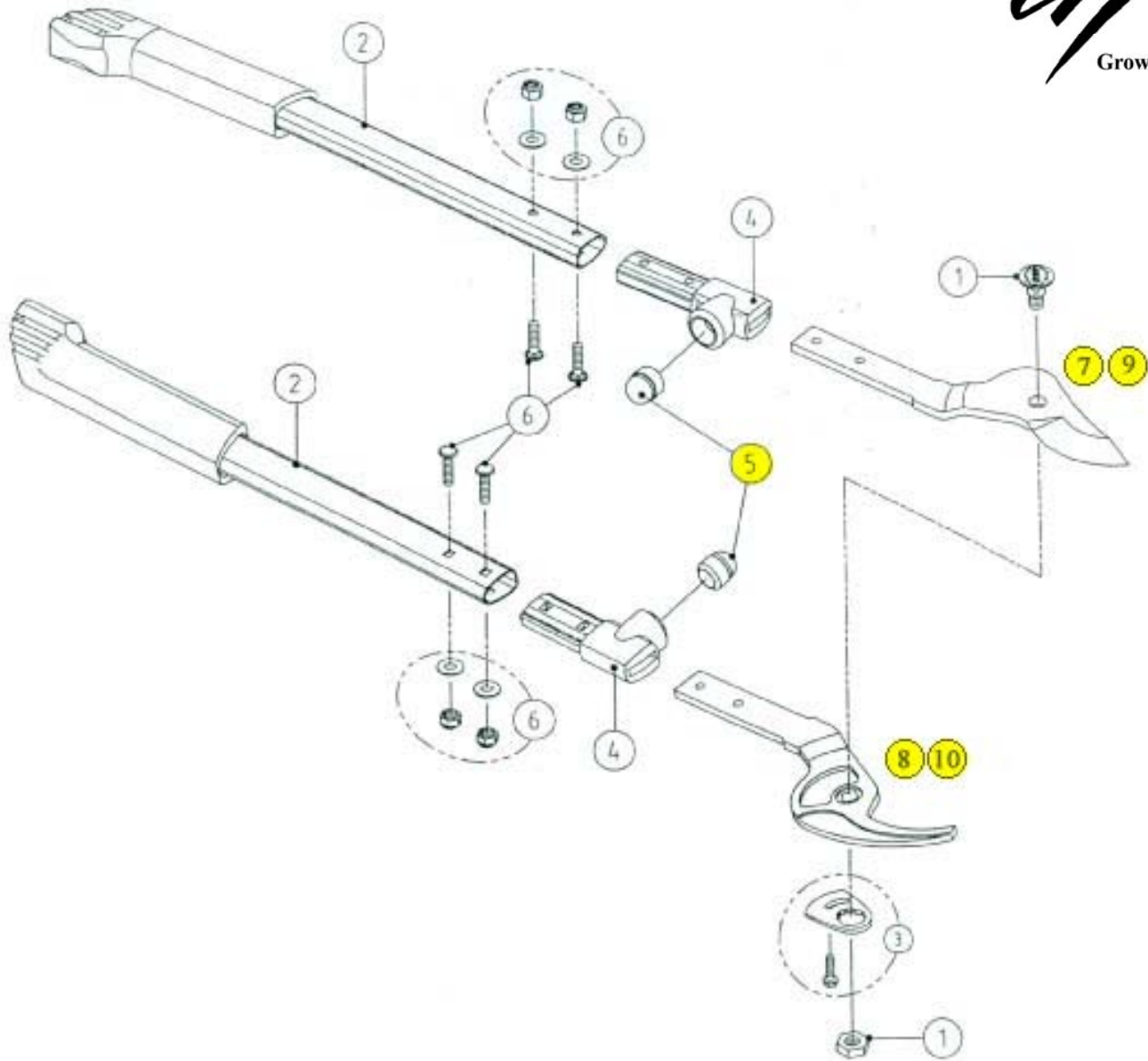


LP-22S/22M/22L/33S/33M/33L

SPARE PARTS DIAGRAM



- | | | | |
|----|---|----------|--|
| 1. | Center Bolt & Nut | 5. | Shock Absorber for LP-22S/33S
Shock Absorber for LP-22M/33M |
| 2. | Pipe for LP-22S/33S with Grip
Pipe for LP-22M/33M with Grip
Pipe for LP-22L/33L with Grip | SP-LP250 | Shock Absorber for LP-22L/33L |
| 3. | Screw Retainer Set | 6. | Blade Holding Bolt & Nut |
| 4. | Bumper Socket (does not include rubber bumper) | 7. | SP-LP221 Cutting Blade for LP-22 Series |
| | | 8. | SP-LP222 Counter Blade for LP-22 Series |
| | | 9. | SP-LP331 Cutting Blade for LP-33 Series |
| | | 10. | SP-LP332 Counter Blade for LP-33 Series |

***All highlighted items are available from inventory.
All others are available by Special Order.***