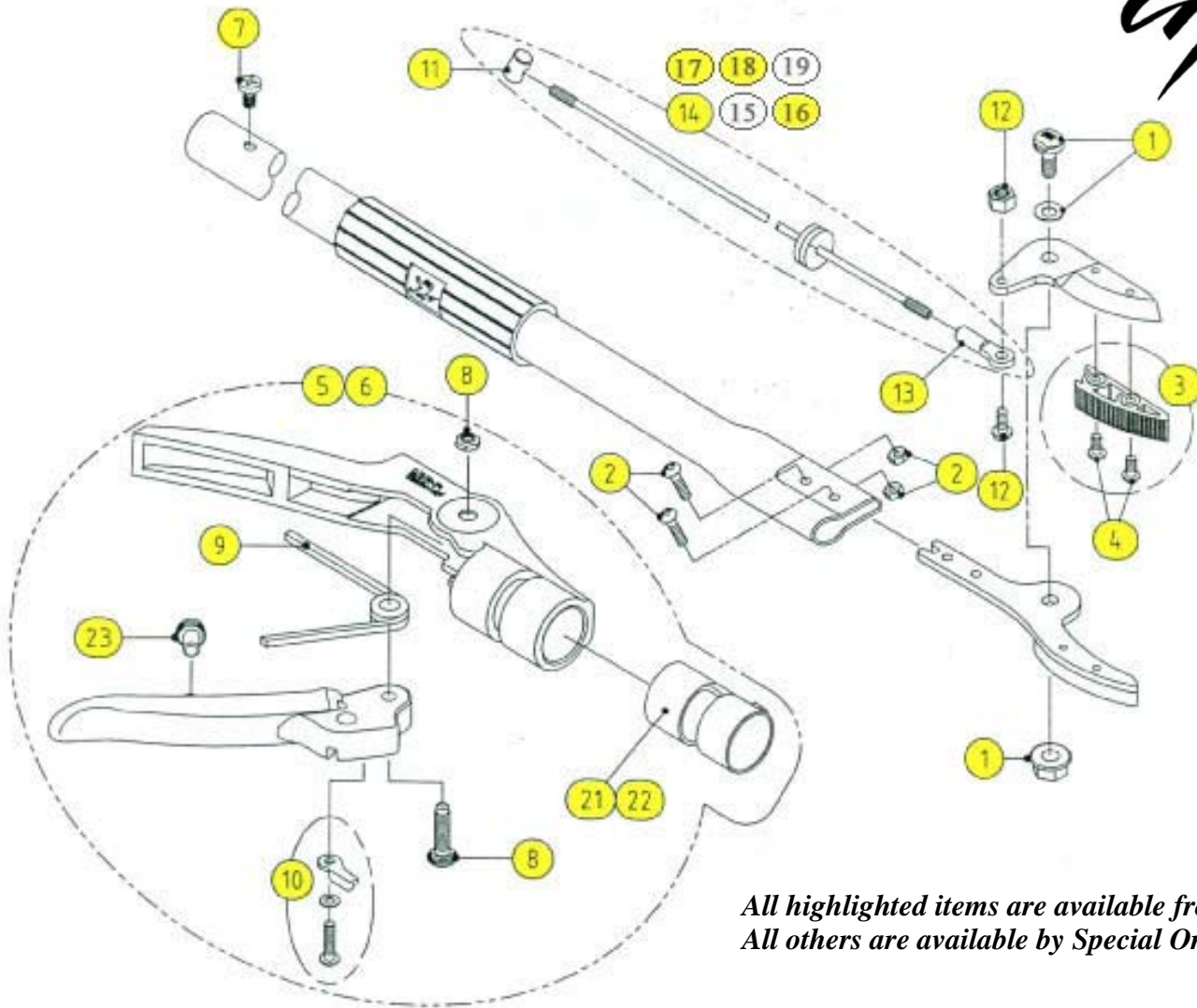


# R-Series

## SPARE PARTS DIAGRAM



*All highlighted items are available from inventory.  
All others are available by Special Order.*

1. SP-LA30	Pivot Bolt for Blade Sets	14. SP-LA46	Rod for LA-160/180R18 (includes end cylinder and rod endcap)
2. SP-LA31	Screw, Washer, & Nut to Attach Blade to Pipe	15.	Rod for LA-160/180R24
3. SP-LA32	Holding Device w/ 2 Screws for 160 Head	16. SP-LA81	Rod for LA-160R035
4. SP-LA33	Screw for Holding Device for 160 Head	17. SP-LA82	Rod for LA-160R06
5. SP-16038A	Handle Set for 160 Units	18. SP-R180R12	Rod for LA-160/180R12 (includes end cylinder and rod endcap)
6. SP-18038B	Handle Set for 180 Units	19. SP-LA84	Rod for LA-160/180R21— <b>Special Order</b>
7. SP-LA39	Stop Screw for Handle	21. SP-LA160HB	Sleeve for Grip of LA-160R035/06/12/18
8. SP-LA40	Pivot Bolt for Handle	22. SP-LA180HB	Sleeve for Grip of LA-160R21/24, 180/190 Series
9. SP-LA41	Spring for Handle	23. SP-LAXRC	Shock Absorber for Handle
10. SP-LA42	Latch Lock Set for Handle		
11. SP-LA43	End Cylinder for Rod		
12. SP-LA44	Screw Set, Connect Blade to Rod		
13. SP-LA45	Rod End Cap. (Bolt with loop to attach		
		<b>BLADE SETS:</b>	
		SP-16027	Replacement Cut & Hold Blade Set
		SP-18028	Replacement Razor Edge Blade Set