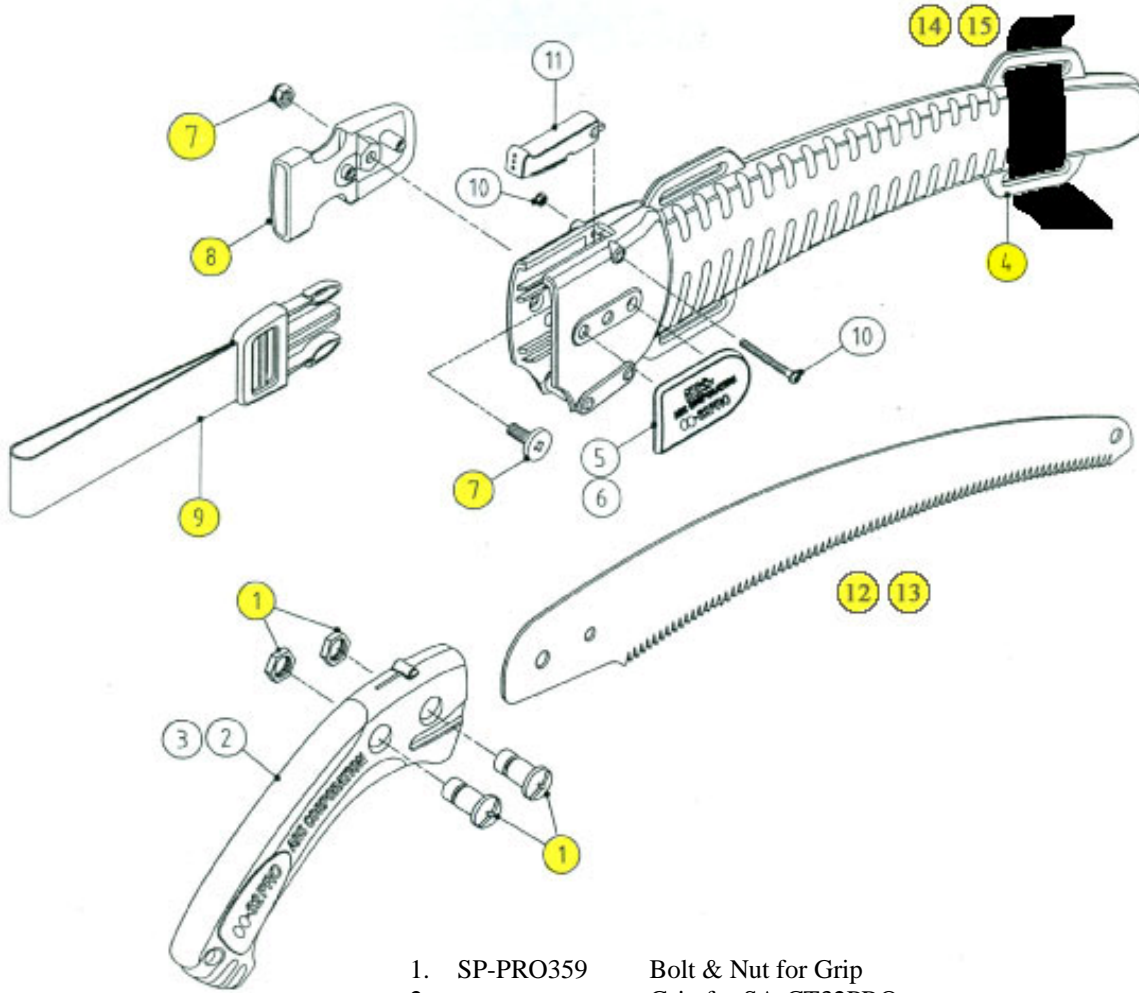


SA-CT32PRO / UV32PRO

SPARE PARTS DIAGRAM



- | | | |
|-----|-------------|---|
| 1. | SP-PRO359 | Bolt & Nut for Grip |
| 2. | | Grip for SA-CT32PRO |
| 3. | | Grip for SA-UV32PRO |
| 4. | SP-PRO370 | Sheath |
| 5. | | Name Plate for SA-CT32PRO |
| 6. | | Name Plate for SA-UV32PRO |
| 7. | SP-PRO366 | Bolt & Nut for Belt Clip |
| 8. | SP-PRO367 | Belt Clip |
| 9. | SP-PRO368 | Belt Loop |
| 10. | | Bolt & Nut for Stopper |
| 11. | | Stopper |
| 12. | SB-CT32PRO1 | Spare Blade for SA-CT32PRO |
| 13. | SB-UV32PRO1 | Spare Blade for SA-UV32PRO |
| 14. | AC-PROST | ARS Double Ring Tension Leg Straps (Set of 2) |
| 15. | ACC-VLST | Velcro Leg Straps (Set of 2) |

***All highlighted items are available from inventory.
All others are available by Special Order.***