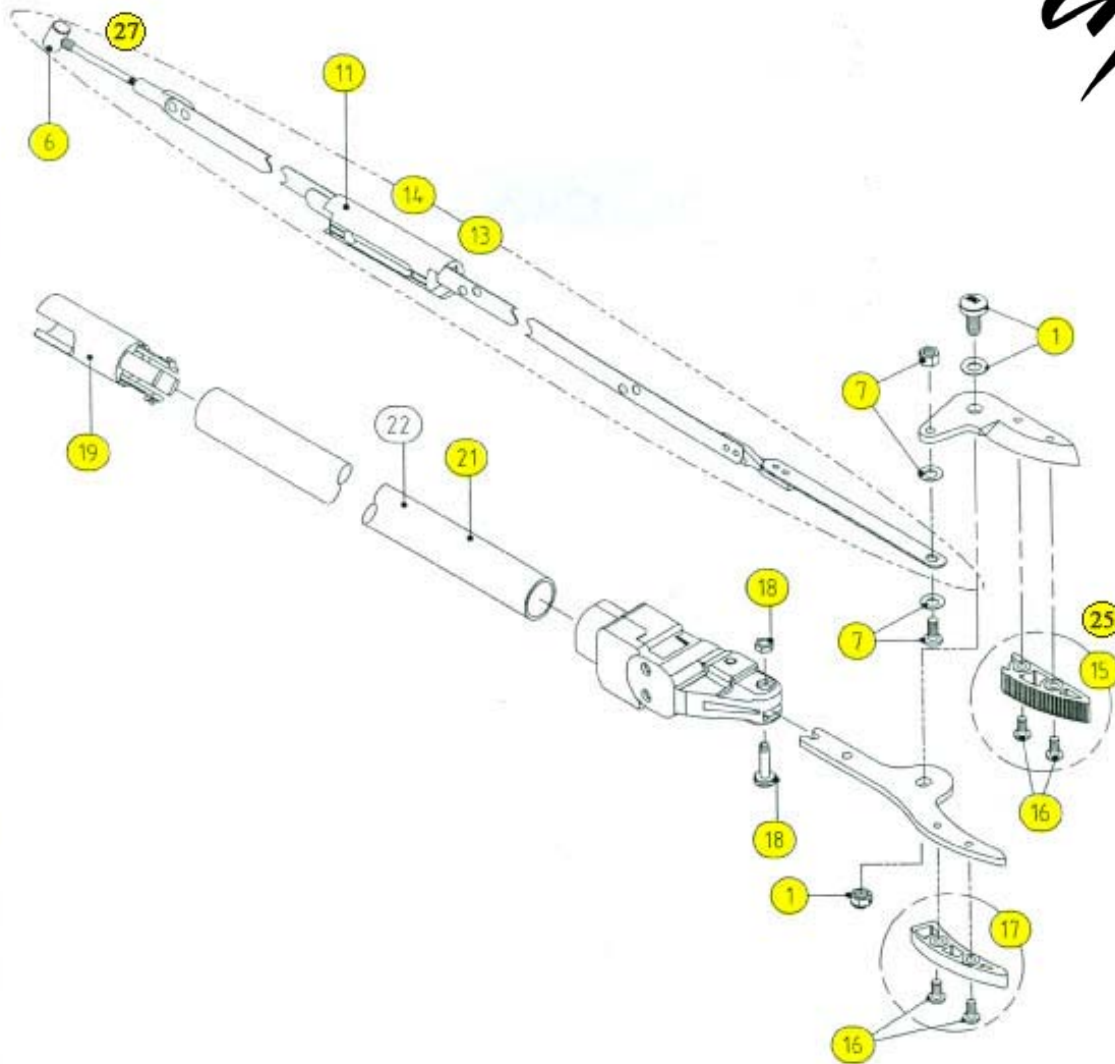


ZT-Series (Discontinued) - Page 1 of 2

SPARE PARTS DIAGRAM

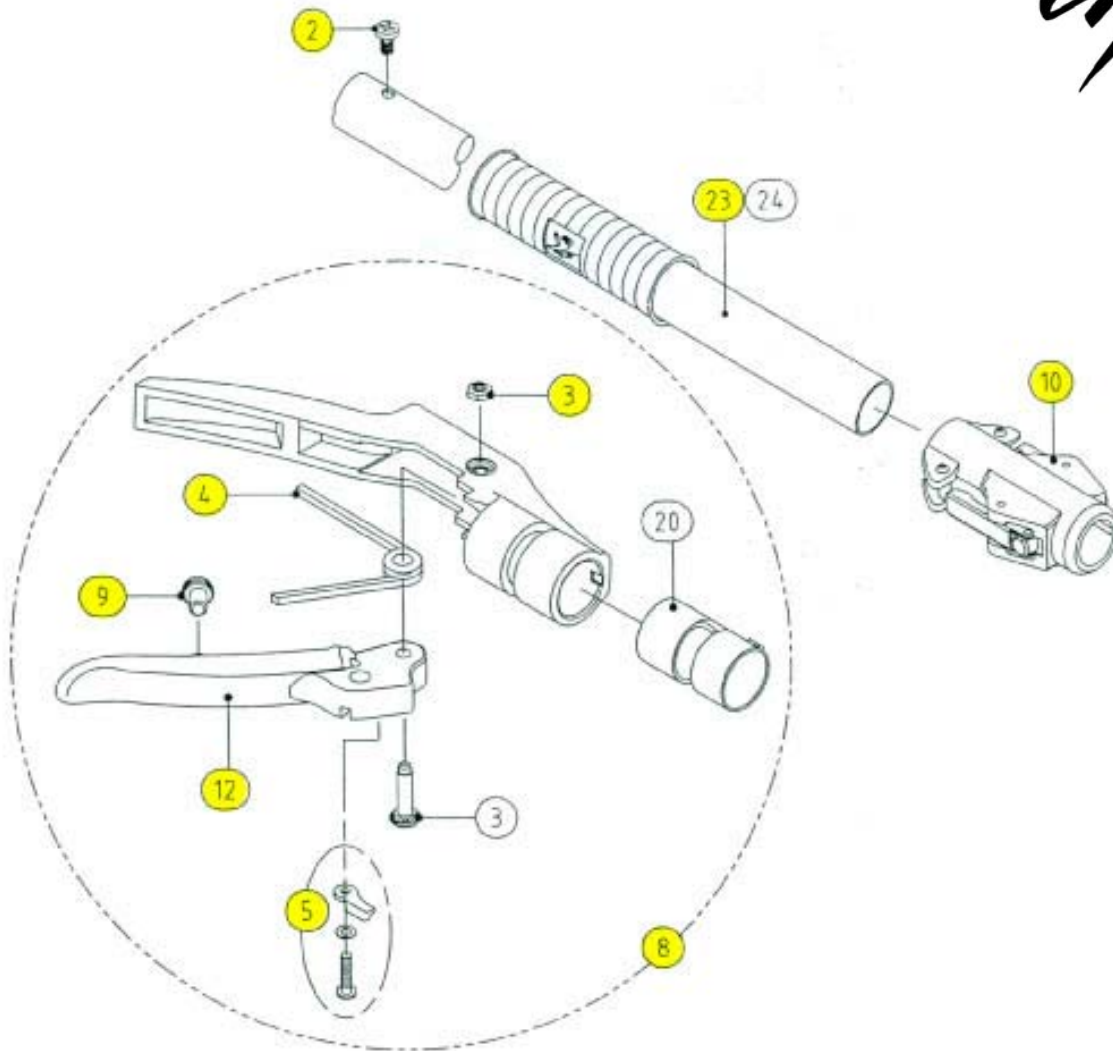


- | | | | |
|----------------|--|--------------|---|
| 1. SP-LA30 | Pivot Bolt for Blade Sets | 18. SP-LA75 | Screw Set Connect Blade to Tilt Case |
| 6. SP-LA43 | End Cylinder for Rod | 19. SP-LA166 | End Cap for Upper Pipe
(white cylindrical insert that
attaches to bottom of upper pipe) |
| 7. SP-LA74 | Screw Set Connect Blade to Extension Slide | 21. SP-LA183 | Upper Pipe for 305 |
| 11. SP-LA130 | Inner Case (white plastic cylinder –
NOTE: requires special tools and equipment to
reassemble slides – consider replacing extension slide) | 22. | Upper Pipe for 203 |
| 13. SP-LA105 | Extension Slide Set for 203/213
(includes inner case, short rod - which includes
rod end cap, and 2 slides) | 25. SP-LA36 | Holding device with 2 Screws for
190 Head |
| 14. SP-LA106 | Extension Slide Set for 305/315
(includes inner case, short rod - which includes
rod end cap, and 2 slides) | 27. SP-R160Z | Short Rod
(connects extension slide to handle)
(includes SP-LA43/end cylinder) |
| 15. SP-LA160HD | Holding Device with 2 screws for Cutting Blade
for 160 Head (red plastic – cutting side only) | | |
| 16. SP-LA202 | Screw for Holding Device for 160 Head | | |
| 17. SP-LA296 | Holding Device for Counter Blade for 160 Head | | |

*All highlighted items are available from inventory.
All others are available by Special Order.*

ZT-Series (Discontinued) - Page 2 of 2

SPARE PARTS DIAGRAM



- | | | | |
|---------------|---|--------------|---|
| 2. SP-LA39 | Stop Screw for Handle | 12. SP-LA145 | Grip Lever Only for Handle |
| 3. SP-LA40 | Pivot Bolt for Handle | 20. | Sleeve for Grip |
| 4. SP-LA101 | Spring for Handle | 23. SP-LA184 | Lower Pipe for 305 Special Order |
| 5. SP-LA42 | Latch Lock Set for Handle | 24. | Lower Pipe for 203 Special Order |
| 8. SP-LA79 | Complete Handle Set (includes spring, latch lock set, pivot bolt, shock absorber, grip lever, stop screw, sleeve for grip, and grip handle) | | |
| 9. SP-LAXRC | Shock Absorber for Handle | | |
| 10. SP-LAZT99 | Joint Case (includes 2 screws, 2 plastic inserts, and joint case) | | |

*All highlighted items are available from inventory.
All others are available by Special Order.*