



Sharper,
Lighter,
Stronger

SPARE PARTS DIAGRAMS

Accessories	2
Hand Pruners	2-3
Hedge Shears	3
Master Gardener Collection	3
Long Reach Pruners	4
Loppers	4-5
Saws	5-6
Telescoping Poles, Polesaws, & Toppers	7
Arborist Blades	7
Replacement Blades	8
Scissors	9
Hoof-Trimmers	9
Floral	10
Roses & Topiary	10
Bonsai	10
Sewing & Crafts	10
Christmas Tree Farms	10
Common Spare Parts	11-12

GrowTech, Inc.

TOLL FREE: 800-204-4769

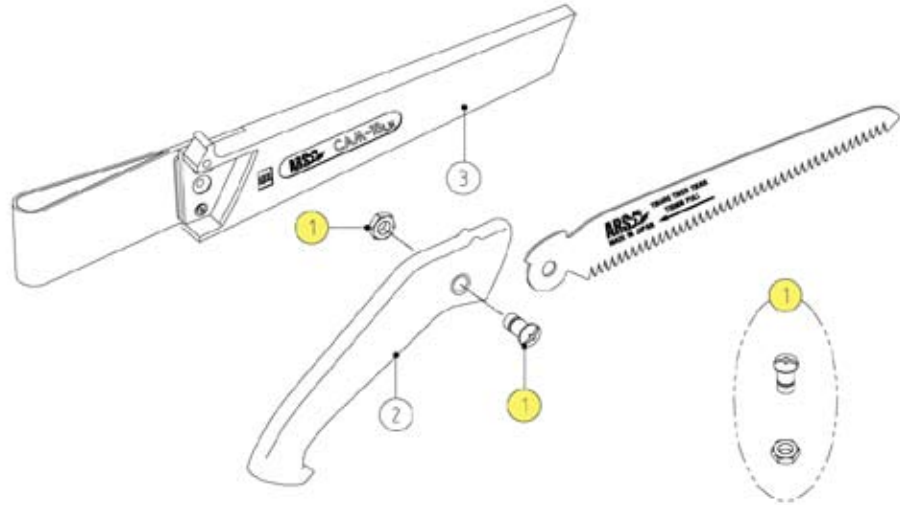
FAX: 615-376-6371

www.growtech.com • growtech@growtech.com
7106 Crossroads Blvd., Suite 216 • Brentwood, TN 37027



FIXED SAWS

SA-CAM18LN



-
1. **SP-SAI** Center Bolt & Nut
 2. Grip (Red)
 3. Sheath (Red)

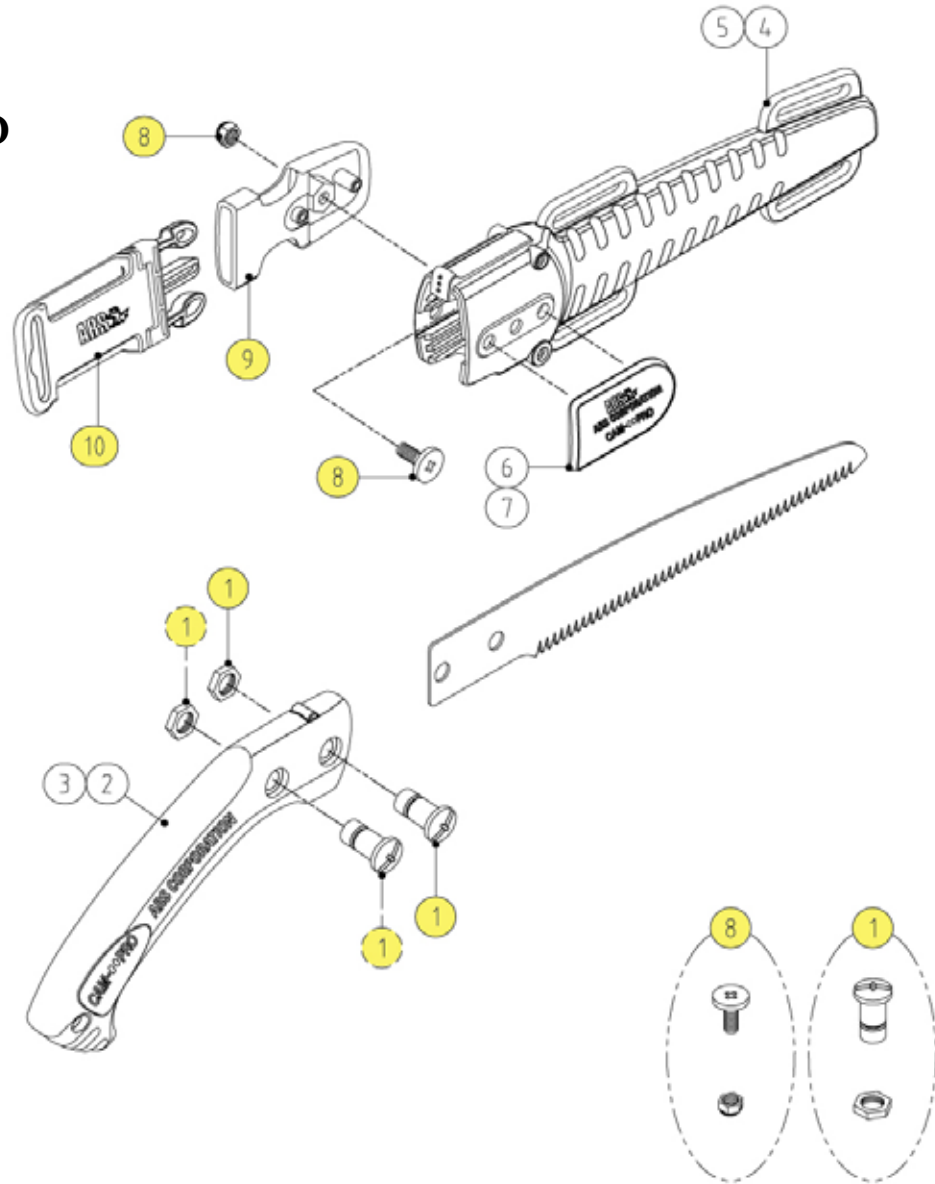
REPLACEMENT BLADE:
SB-18LN1

*All highlighted items are available from inventory.
All others are available by Special Order.*



FIXED SAWS

SA-CAM18/24PRO



1. **SP-PRO359** Bolt & Nut
2. Grip for SA-CAM18PRO
3. Grip for SA-CAM24PRO
4. Sheath for SA-CAM18PRO
5. Sheath for SA-CAM24PRO
6. Name Plate for SA-CAM18PRO
7. Name Plate for SA-CAM24PRO
8. **SP-PRO366** Bolt & Nut for Belt Clip
9. **SP-PRO367** Belt Clip
10. **SP-PRO368** Belt

REPLACEMENT BLADES: (all available in inventory)

SB-18PRO1 (for the SA-CAM18PRO)

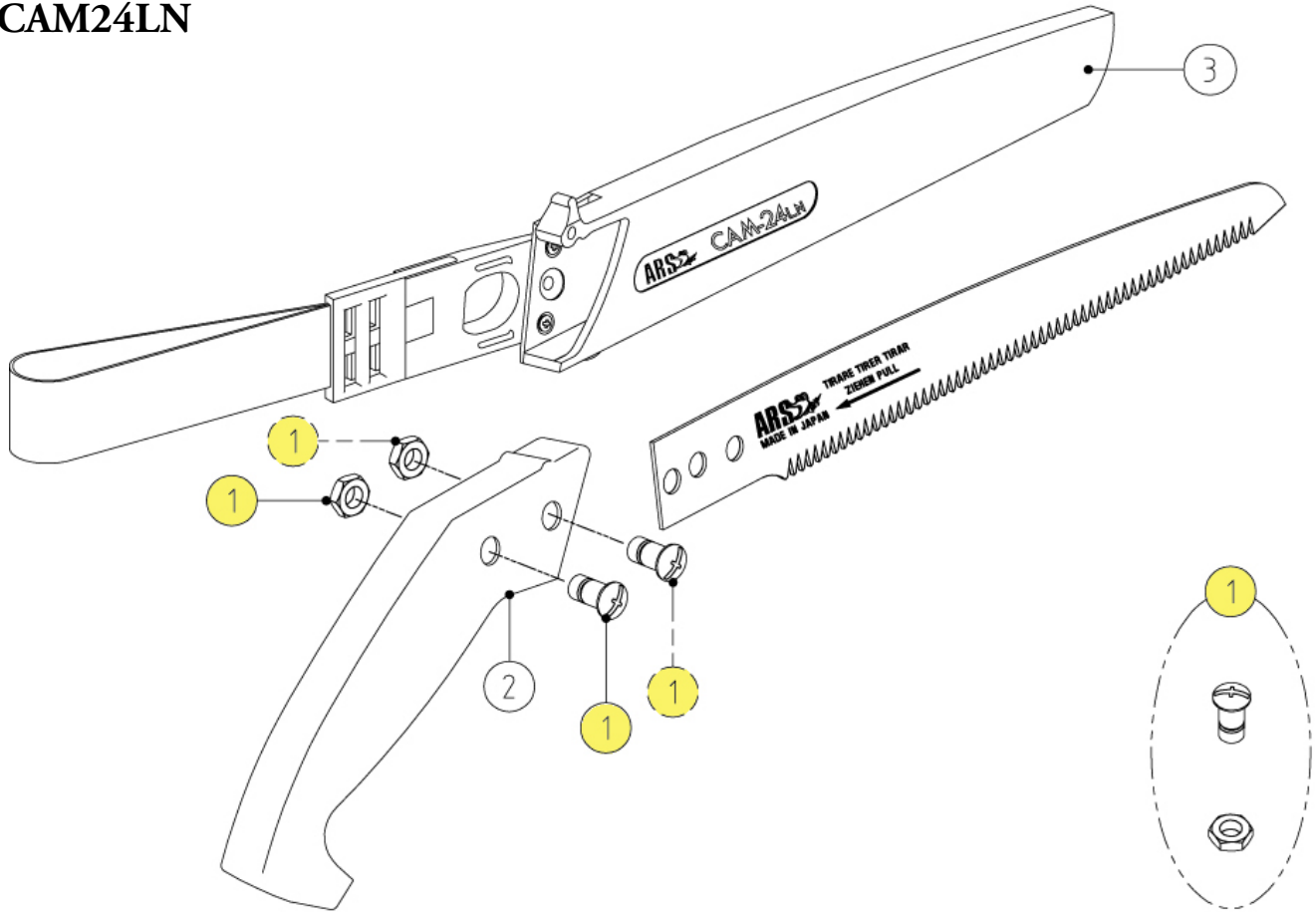
SB-24PRO1 (for the SA-CAM24PRO)

*All highlighted items are available from inventory.
All others are available by Special Order.*



FIXED SAWS

SA-CAM24LN



-
1. **SP-SAI** Center Bolt & Nut
 2. Grip (Red)
 3. Sheath (Red)

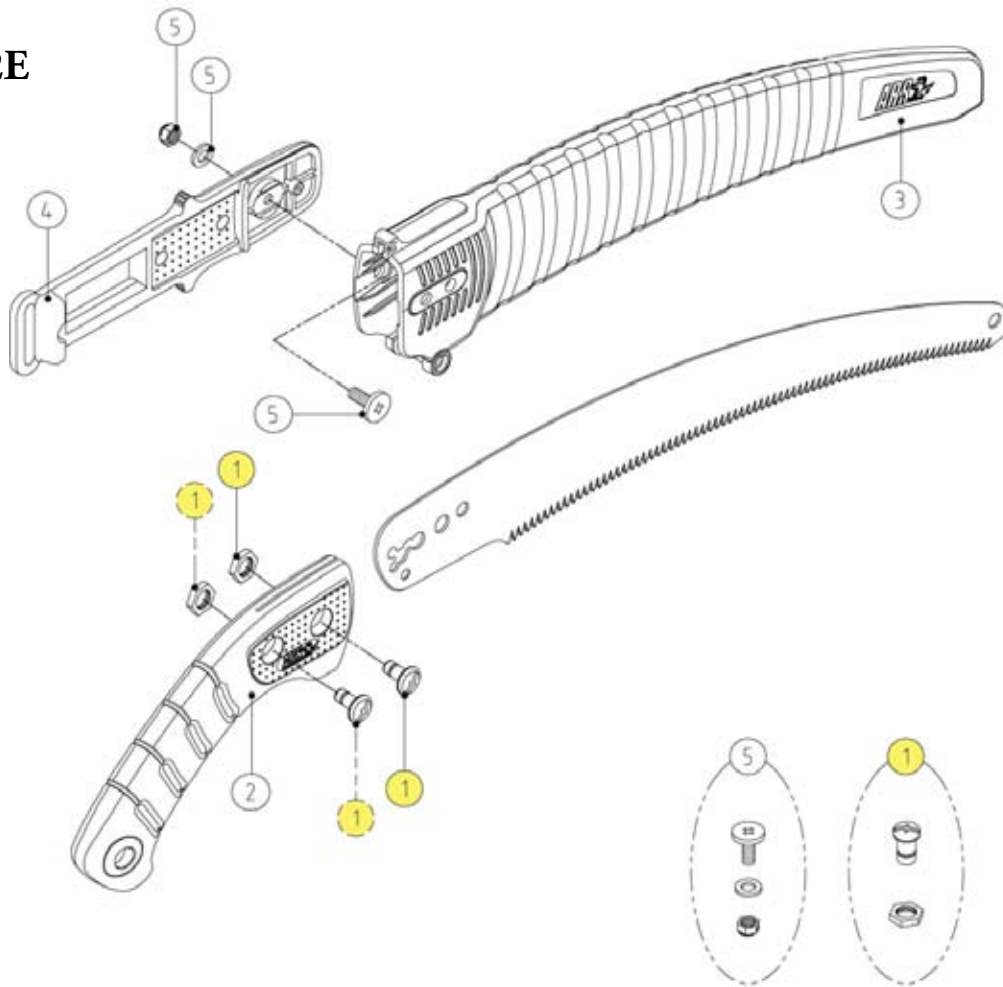
REPLACEMENT BLADE:
SB-24LN1

*All highlighted items are available from inventory.
All others are available by Special Order.*



FIXED SAWS

SA-CT/UV32E



1. **SP-126** Bolt & Nylon Nut
2. Grip
3. Sheath
4. Belt Loop
5. Bolt, Nut, and Washer for Sheath

REPLACEMENT BLADES: (all available in inventory)

SB-CT32E1 (for the SA-CT32E)

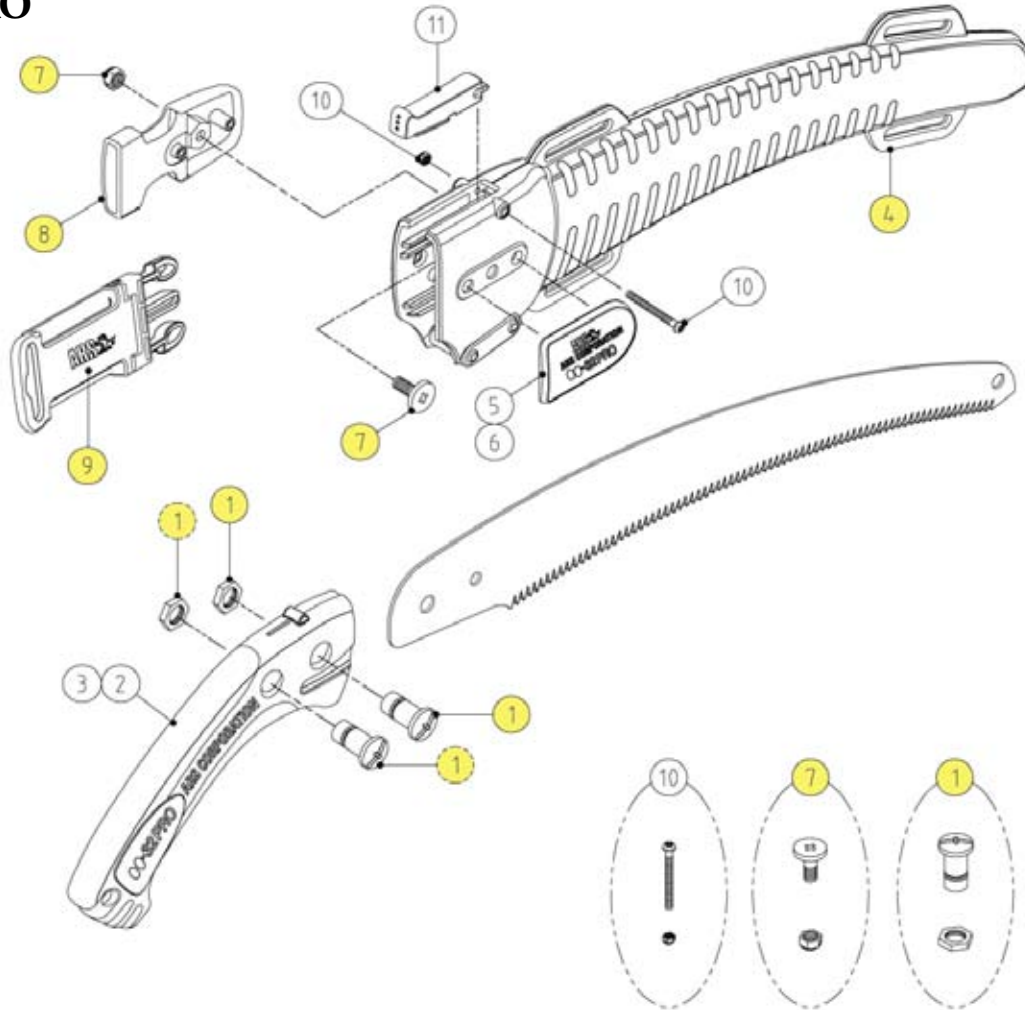
SB-UV32E1 (for the SA-UV32E)

*All highlighted items are available from inventory.
All others are available by Special Order.*



FIXED SAWS

SA-CT/UV32PRO



1. **SP-PRO359** Bolt & Nut
2. Grip for SA-CT32PRO
3. Grip for SA-UV32PRO
4. **SP-PRO370** Sheath
5. Name Plate for SA-CT32PRO
6. Name Plate for SA-UV32PRO
7. **SP-PRO366** Bolt & Nut for Belt Clip
8. **SP-PRO367** Belt Clip
9. **SP-PRO368** Belt
10. Bolt & Nut for Stopper
11. Stopper

REPLACEMENT BLADES: (all available in inventory)

SB-CT32PRO1 (for the SA-CT32PRO)

SB-UV32PRO1 (for the SA-UV32PRO)

ACCESSORIES: (all available from inventory)

AC-PROST ARS Double Ring Tension Leg Straps
(Set of 2)

ACC-LVST Velcro Leg Straps (Set of 2)

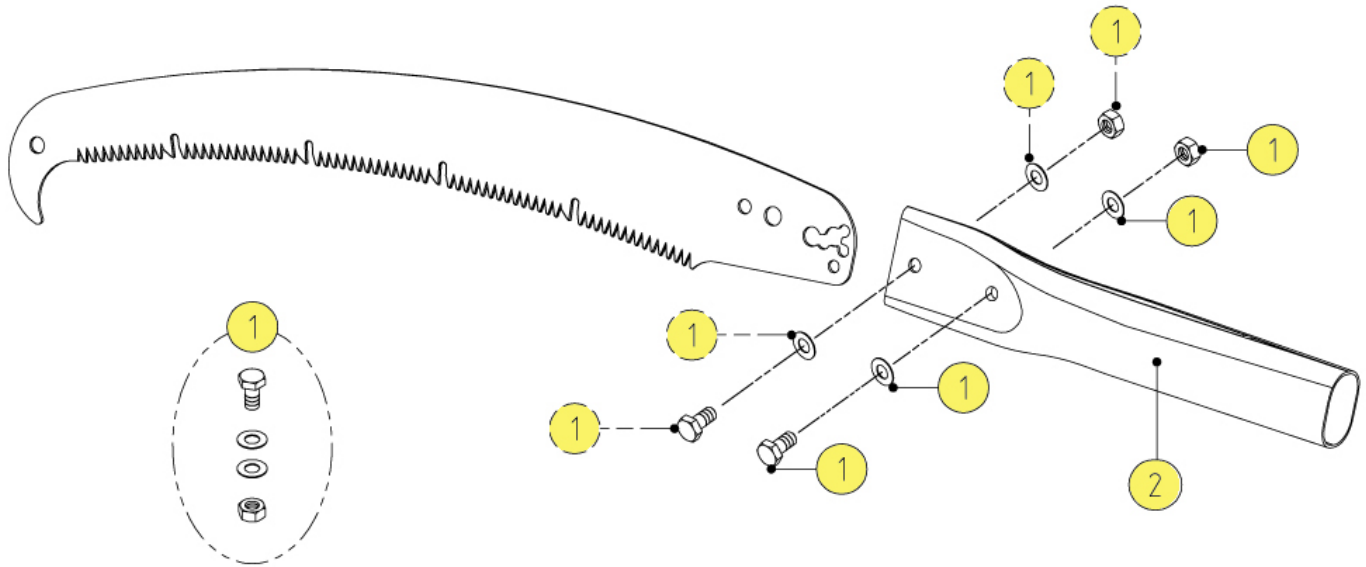
All highlighted items are available from inventory.

All others are available by Special Order.



FIXED SAWS

SA-CT/UV34EXP



-
1. **SP-EXP146** Bolt & Nut for Grip
 2. **SC-JG2** Grip Set (bolt & nut) included
 3. Sheath
 4. Belt Loop
 5. Bolt, Nut, and Washer for Sheath

REPLACEMENT BLADES: (all available in inventory)

SB-CT341 (for the SA-CT34EXP)

SB-UV341 (for the SA-UV34EXP)

ACCESSORIES: (Available in inventory)

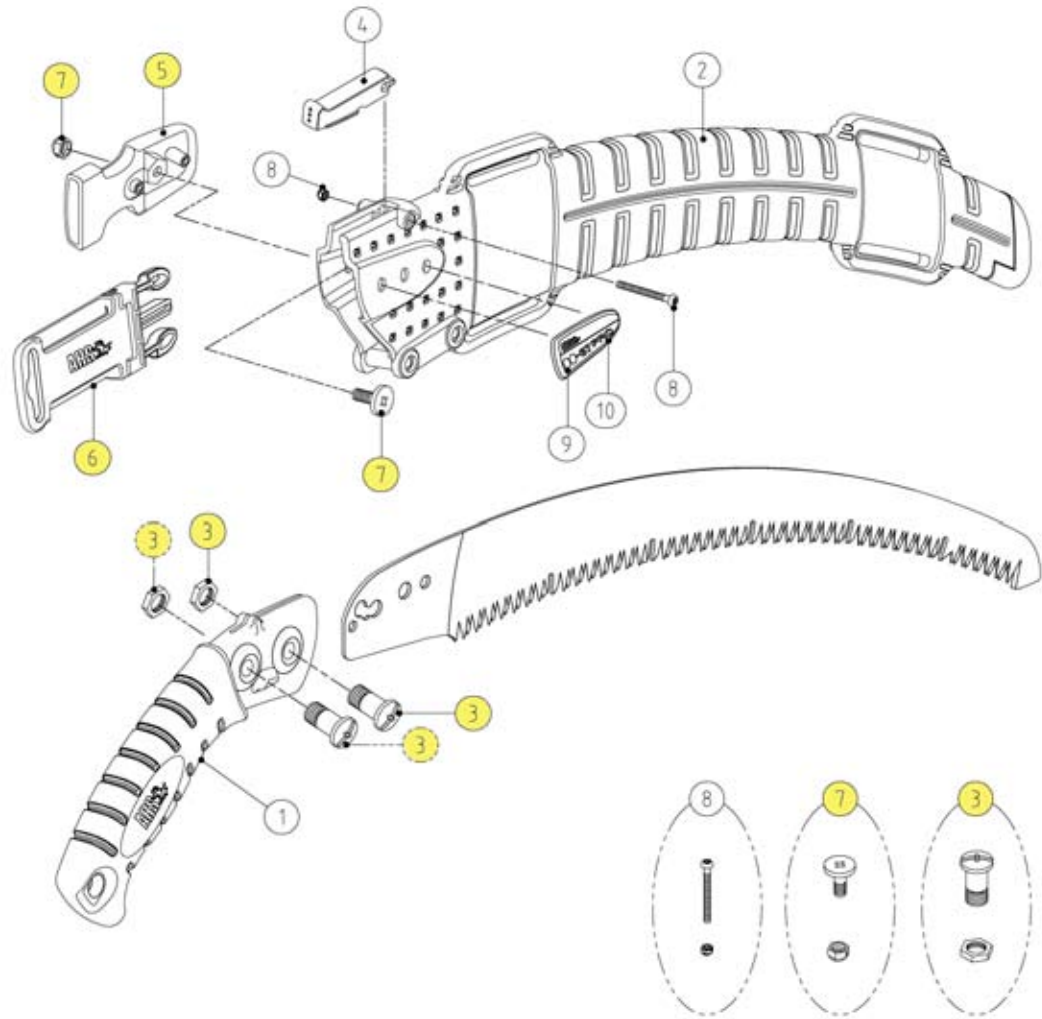
ACC-13BP Belted Leather Sheath

*All highlighted items are available from inventory.
All others are available by Special Order.*



FIXED SAWS

SA-CT/UV37PRO



- 1. Grip
- 2. Sheath
- 3. **SP-PRO359** Bolt & Nut
- 4. Stopper
- 5. **SP-PRO367** Belt Clip
- 6. **SP-PRO368** Belt
- 7. **SP-PRO366** Bolt & Nut for Belt Clip
- 8. Bolt & Nut for Stopper
- 9. Name Plate for SA-CT37PRO
- 10. Name Plate for SA-UV37PRO

REPLACEMENT BLADES: (all available in inventory)

SB-CT37PRO1 (for the SA-CT37PRO)

SB-UV37PRO1 (for the SA-UV37PRO)

ACCESSORIES: (all available from inventory)

AC-PROST ARS Double Ring Tension Leg Straps (Set of 2)

ACC-LVST Velcro Leg Straps (Set of 2)

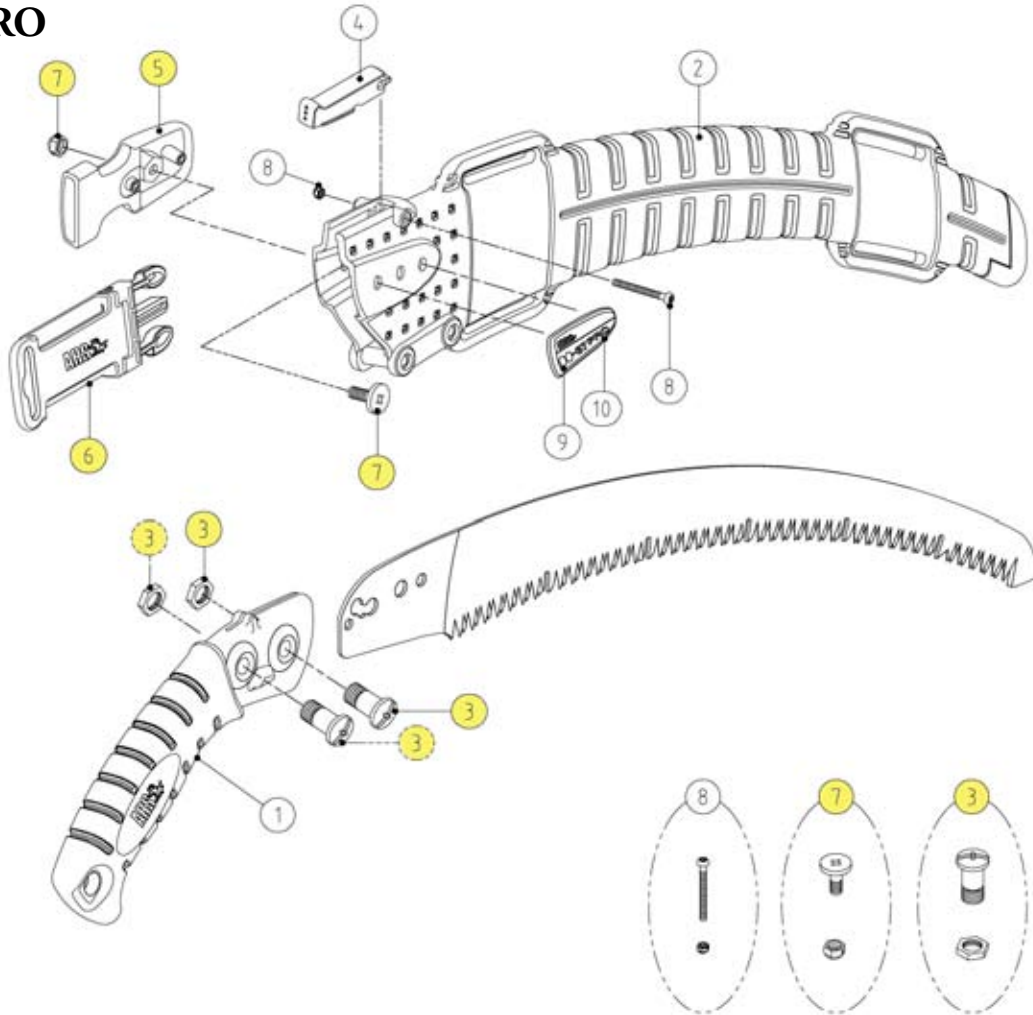
All highlighted items are available from inventory.

All others are available by Special Order.



FIXED SAWS

SA-CT/UV42PRO



- 1. Grip
- 2. Sheath
- 3. **SP-PRO359** Bolt & Nut
- 4. Stopper
- 5. **SP-PRO367** Belt Clip
- 6. **SP-PRO368** Belt
- 7. **SP-PRO366** Bolt & Nut for Belt Clip
- 8. Bolt & Nut for Stopper
- 9. Name Plate for SA-CT42PRO
- 10. Name Plate for SA-UV42PRO

REPLACEMENT BLADES: (all available in inventory)

SB-CT42PRO1 (for the SA-CT42PRO)

SB-UV42PRO1 (for the SA-UV42PRO)

ACCESSORIES: (all available from inventory)

AC-PROST ARS Double Ring Tension Leg Straps (Set of 2)

ACC-LVST Velcro Leg Straps (Set of 2)

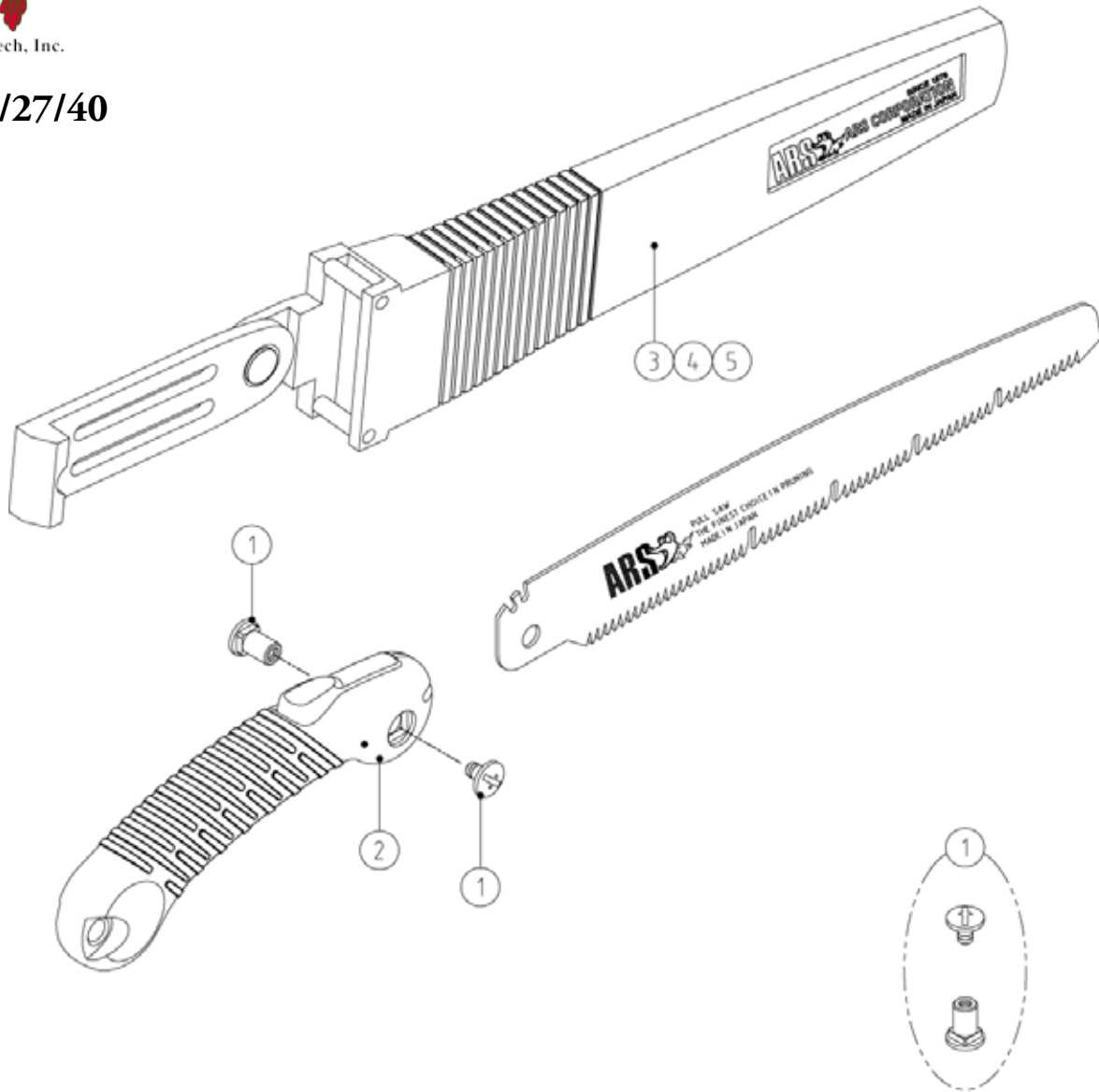
All highlighted items are available from inventory.

All others are available by Special Order.



FIXED SAWS

SA-TL24/27/40



- 1. Bolt & Nut
- 2. Grip
- 3. Sheath for SA-TL24
- 4. Sheath for SA-TL27
- 5. Sheath for SA-TL30

REPLACEMENT BLADES: (all available in inventory)

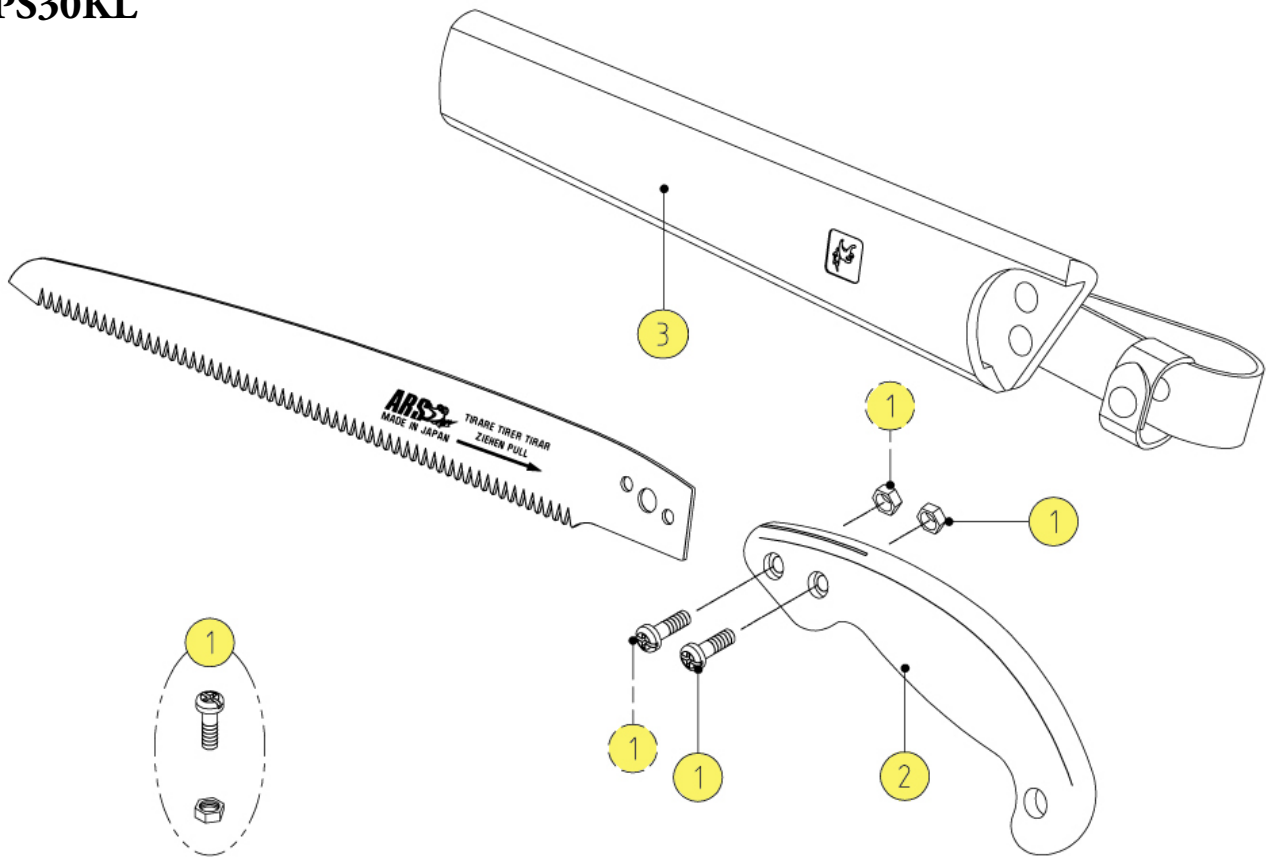
- SB-TL241
- SB-TL271
- SB-TL301

*All highlighted items are available from inventory.
All others are available by Special Order.*



FIXED SAWS

SA-PS30KL



-
1. **SP-PS06** Bolt & Nut
 2. **SPC-PS30H** Handle
 3. **AC-SH30** Wooden Sheath for SA-PS30KL

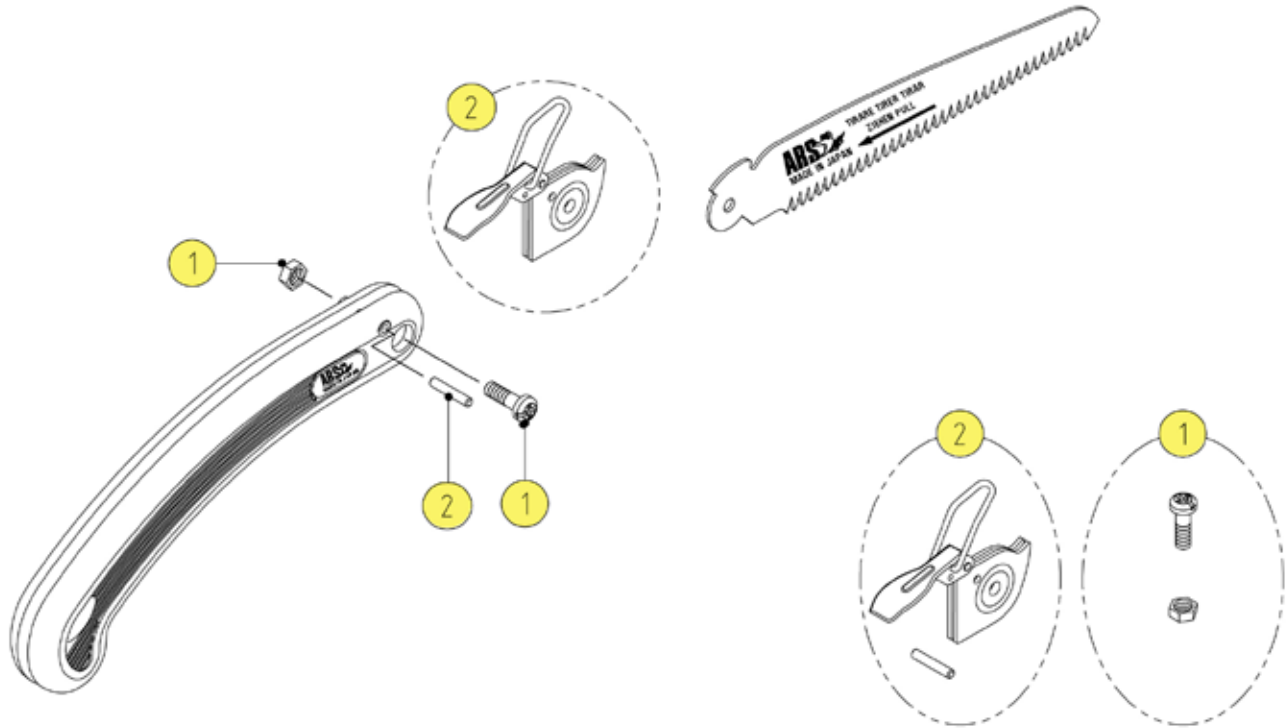
REPLACEMENT BLADE:
SB-30KL1

*All highlighted items are available from inventory.
All others are available by Special Order.*



FOLDING SAWS

SA-210DX Pocket Saw



-
1. SP-21003 Bolt & Nut
 2. SP-SA179 Latch Lock

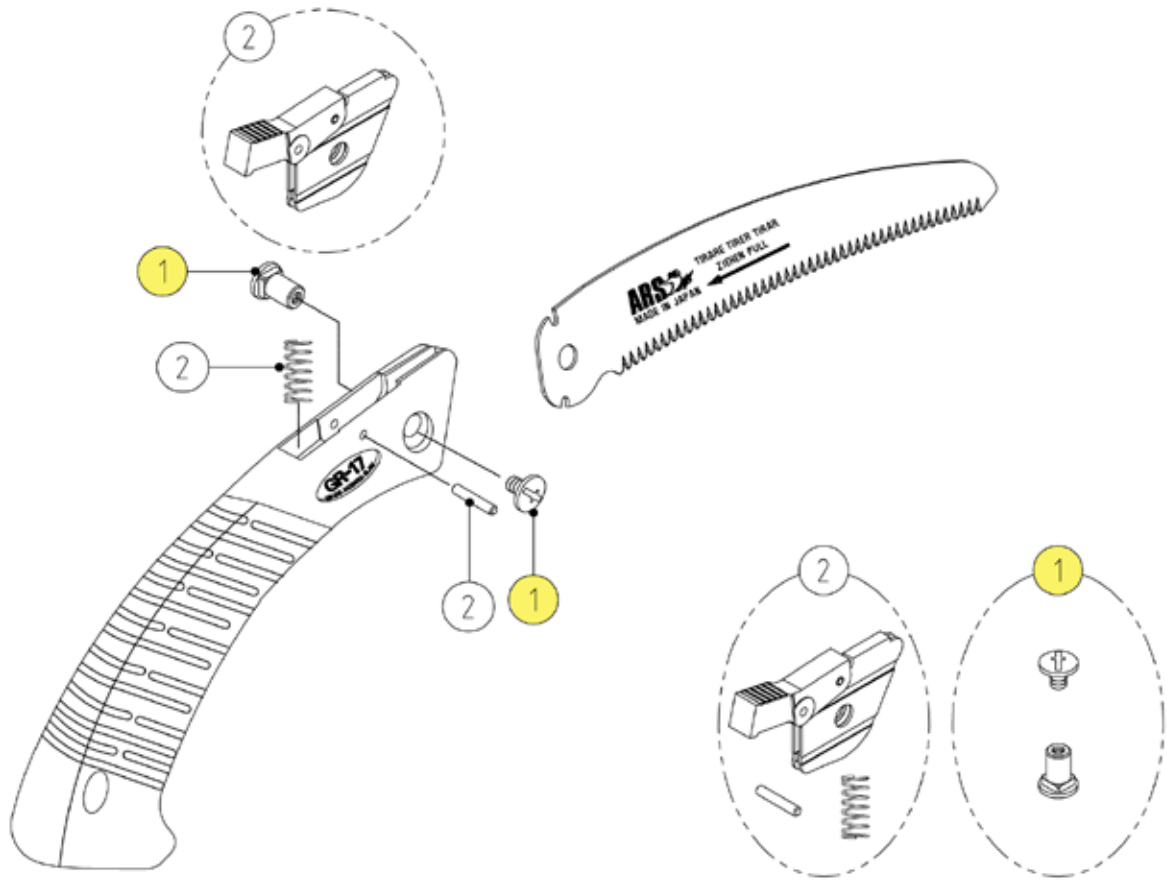
REPLACEMENT BLADE:
SB-211

*All highlighted items are available from inventory.
All others are available by Special Order.*



FOLDING SAWS

SA-GR17



-
1. **SP-SA118** Bolt & Nut
 2. Stopper Set

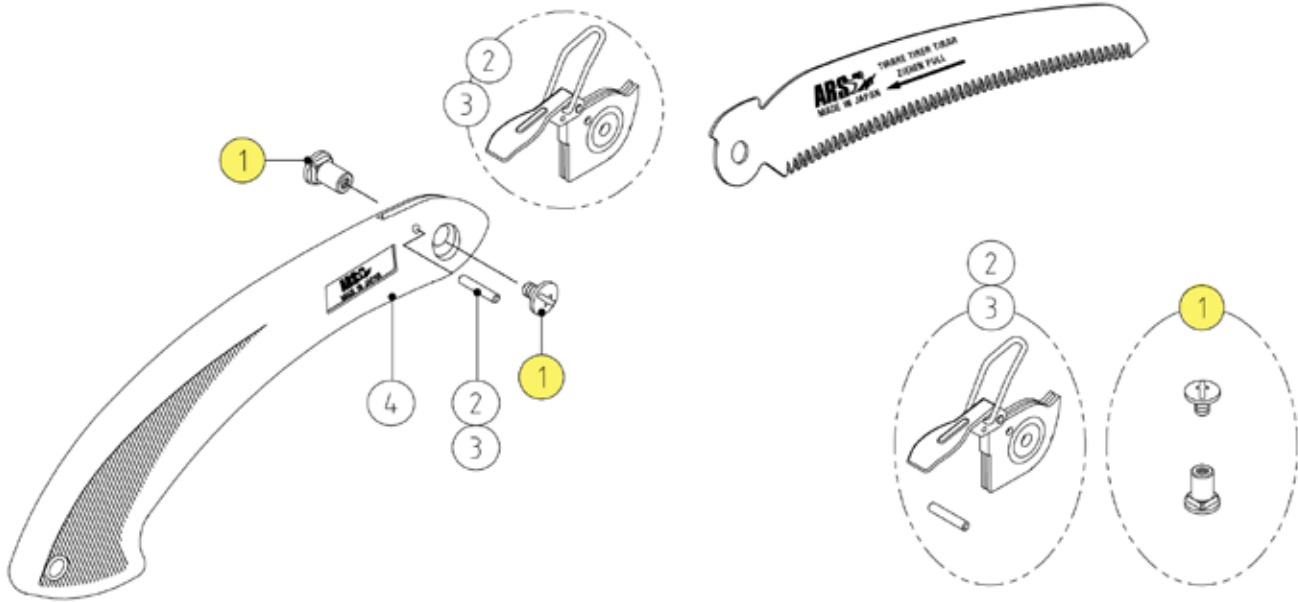
REPLACEMENT BLADE:
SB-GR171

*All highlighted items are available from inventory.
All others are available by Special Order.*



FOLDING SAWS

SA-G18L/G18HL/GR18L



-
1. **SP-SAI** Bolt & Nut
 2. Stopper Set for G18/G18HL
 3. Stopper Set for GR18L
 4. Grip

REPLACEMENT BLADE:

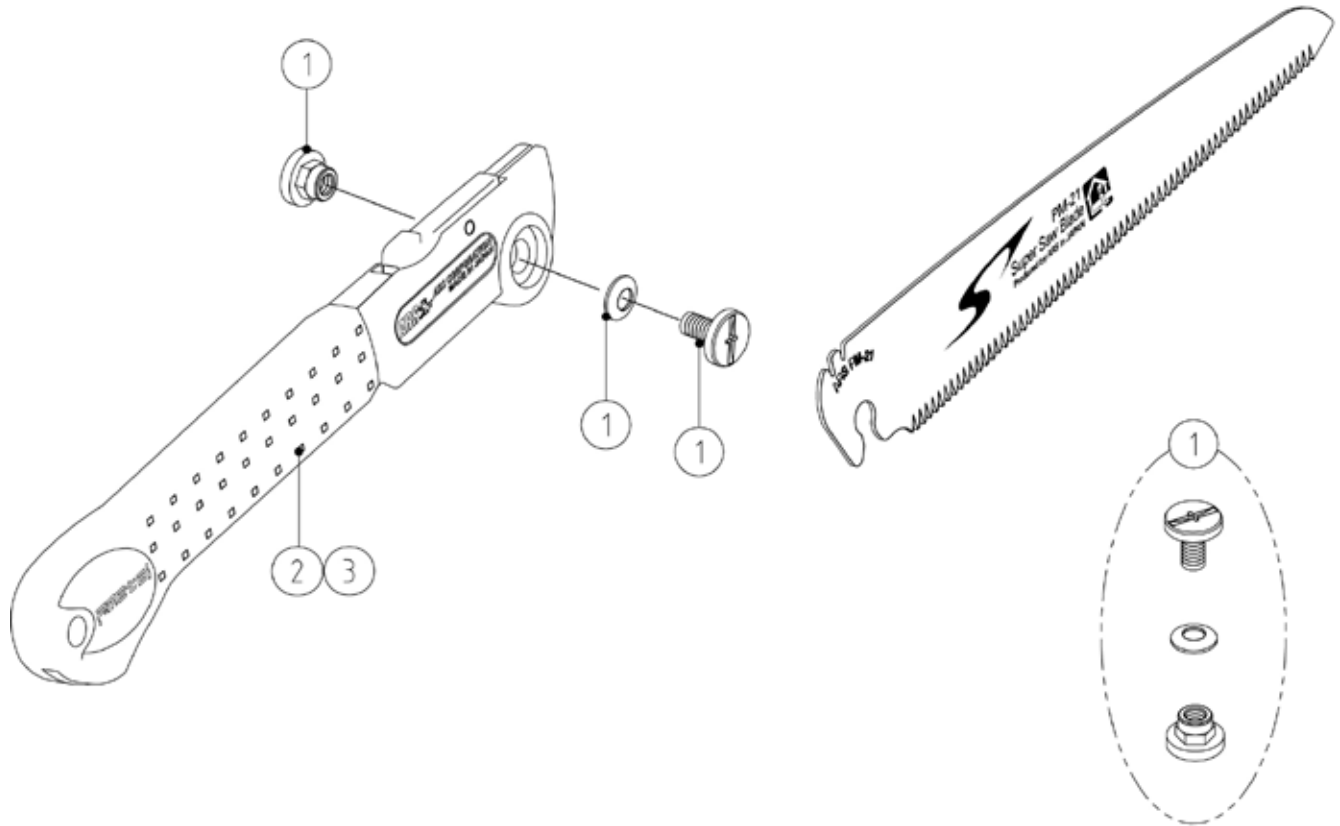
- SB-P18L1** for the SA-G18L
- SB-P18HL1** for the SA-G18HL
- SB-GR18L1** for the SA-GR18L

*All highlighted items are available from inventory.
All others are available by Special Order.*



FOLDING SAWS

SA-PM21/21L/24/24L



-
1. Bolt & Nut
 2. Grip for PM-21/21L
 3. Grip for PM-24/24L

REPLACEMENT BLADE:

- SB-PM211** for SA-PM21
- SB-PM21L1** for SA-PM21L
- SB-PM241** for SA-PM24
- SB-PM24L1** for SA-PM24L

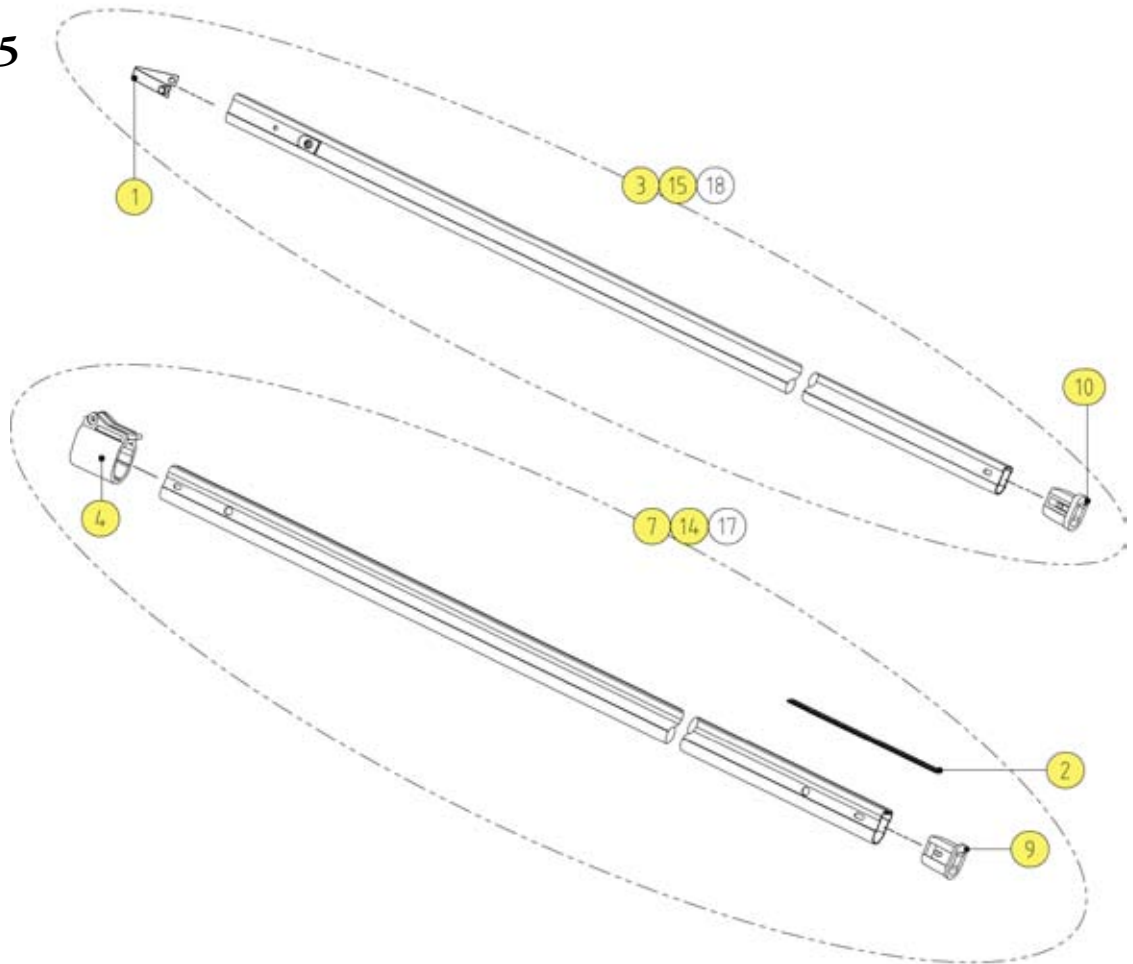
*All highlighted items are available from inventory.
All others are available by Special Order.*



TELESCOPING POLES

SC-EXP33/45/55

Page 1 of 2



-
- | | | |
|-----|-------------------|--|
| 1. | SP-EXP110 | Press Button Spring |
| 2. | SP-EXP111 | Plastic Guide Piece, 1 pc. |
| | NOTE: | 5 pcs. total in SP-EXP33 |
| | | 6 pcs. total in SP-EXP45 |
| | | 8 pcs. total in SP-EXP55 |
| 4. | SP-EXP113A | Stopper Set for Middle Pipe(B) of SC-EXP45 |
| | SP-EXP113B | Stopper Set for Middle Pipe(B) of SC-EXP55 |
| | SP-EXP113D | Stopper Set for Middle Pipe(B) of SC-EXP33 |
| 7. | SP-EXP116 | Middle Pipe (B) for SC-EXP45 |
| 8. | SP-EXP45CP | Upper Pipe(C) for SC-EXP45 |
| 9. | SP-EXP119 | End Cap for Middle Pipe (B) |
| 10. | SP-EXP120 | End Cap for Upper Pipe(C) |
| 14. | SP-EXP103 | Middle Pipe (B) for SC-EXP55 |
| 15. | SP-EXP104 | Upper Pipe (C) for SC-EXP55 |
| 17. | | Middle Pipe (B) for SC-EXP33 |
| 18. | | Upper Pipe (C) for SC-EXP33 |

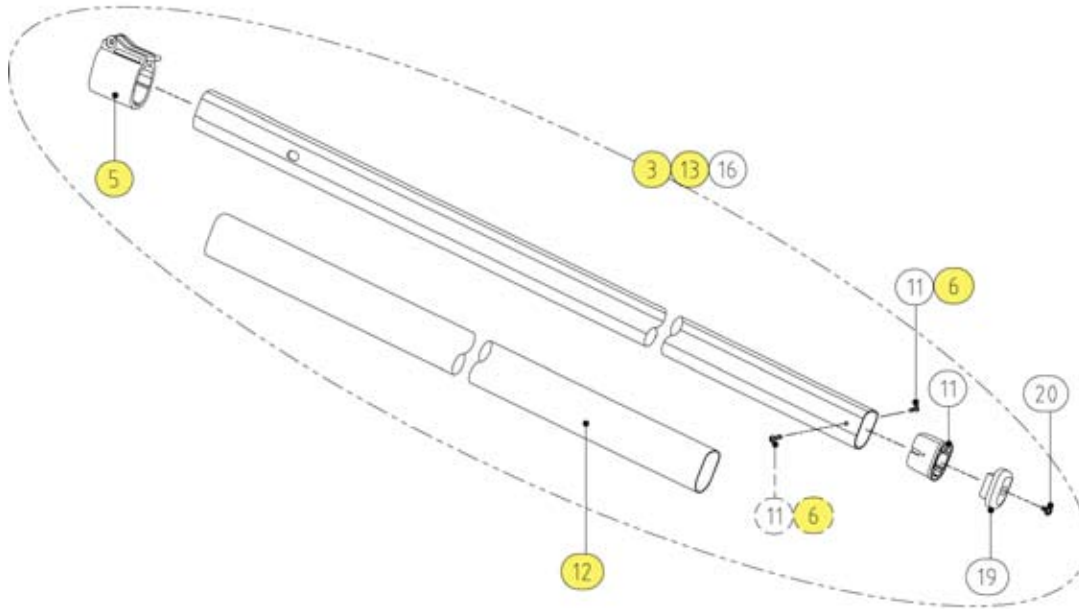
*All highlighted items are available from inventory.
All others are available by Special Order.*



TELESCOPING POLES

SC-EXP33/45/55

Page 2 of 2

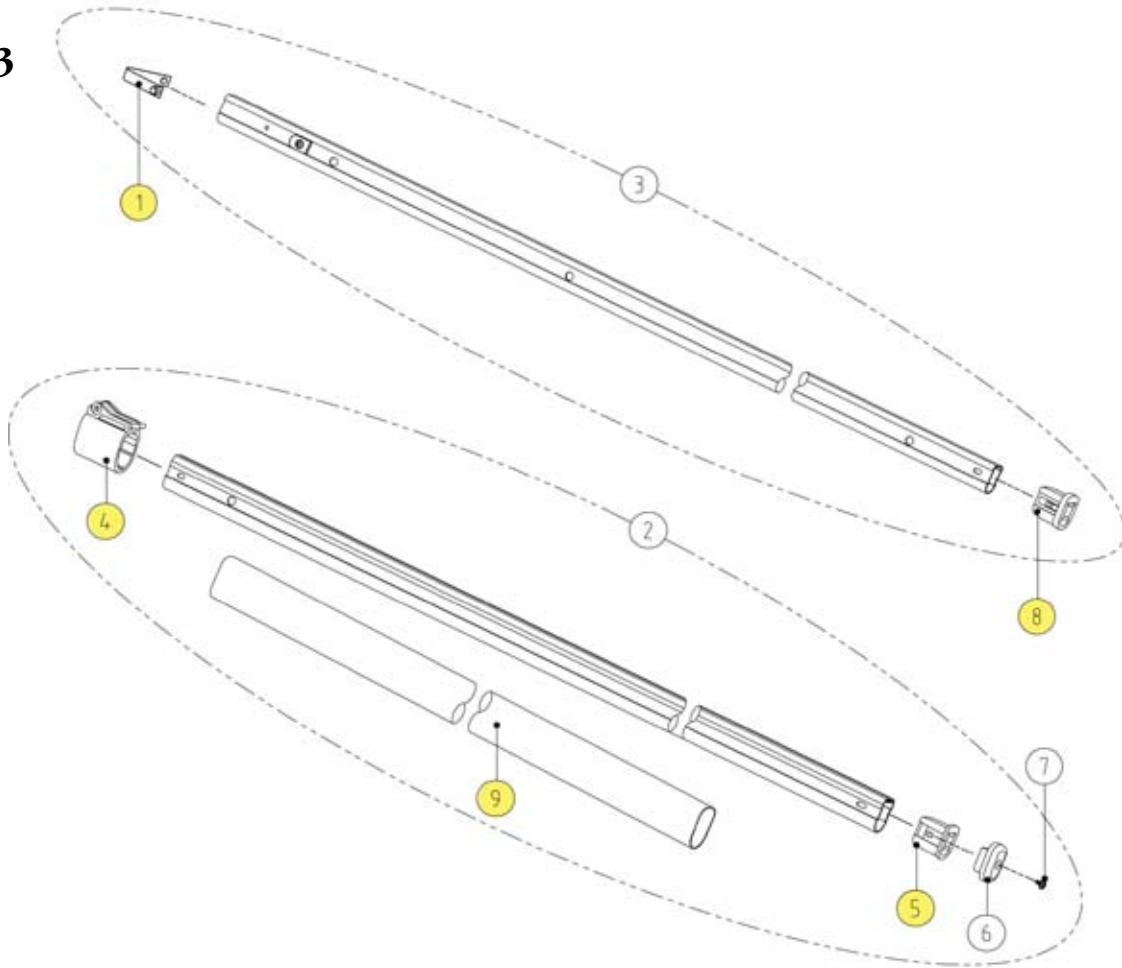


-
- 3. **SP-EXP112** Lower (A) Pipe for SC-EXP45
 - 5. **SP-EXP111** Stopper Set for Lower Pipe (A)
 - 6. **SP-EXP115** Screw for Endcap of Lower Pipe (A)
 - 11. Endcap of Lower Pipe (A)
 - 12. **SP-EXP122** Grip Cover
 - 13. **SP-EXP102** Lower Pipe (A) for SC-EXP55
 - 16. Lower Pipe (A) for SC-EXP33
 - 19. Rubber Cushion for EXP Series
 - 20. Screw for EXP Series

*All highlighted items are available from inventory.
All others are available by Special Order.*

TELESCOPING POLES

SC-EXP23

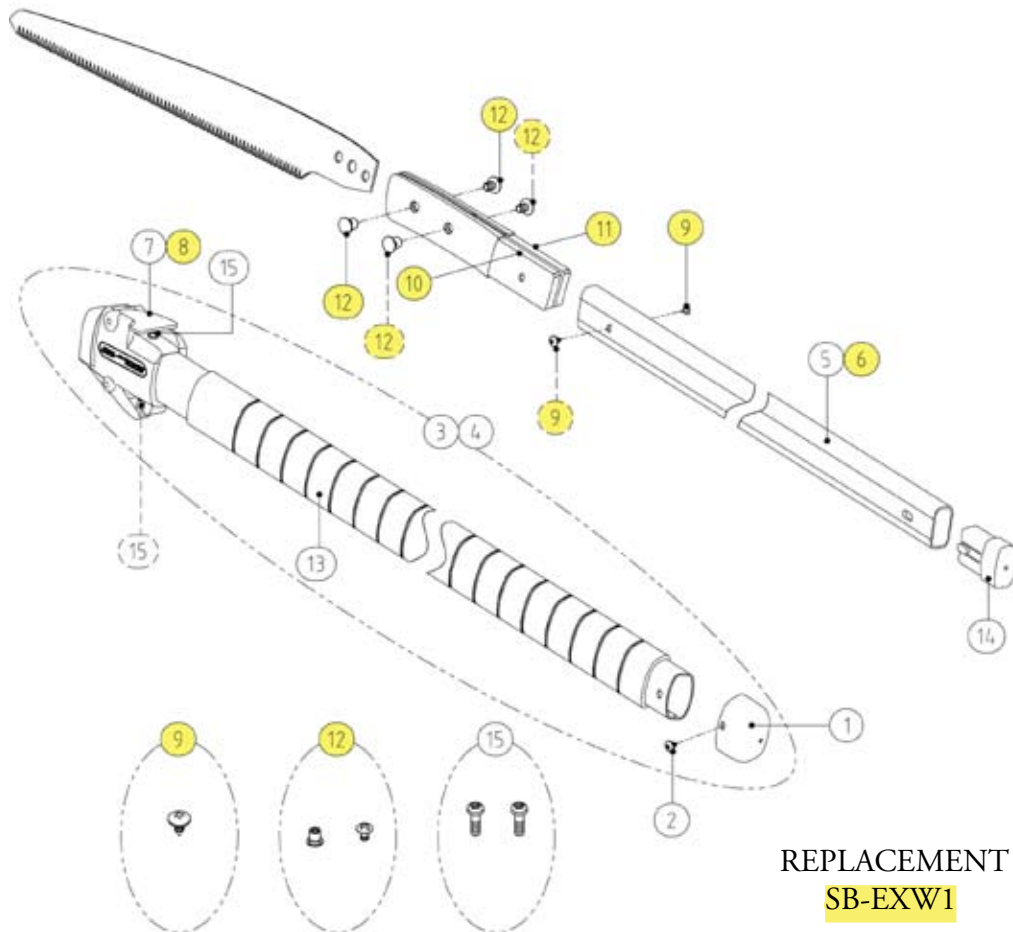


-
1. **SP-EXP110** Press Button Sprint
 2. Lower Pipe (B) for EXP23
 3. Upper Pipe (C) for EXP23
 4. **SP-EXP113C** Stopper Set for Lower Pipe
 5. **SP-EXP119** Endcap for Lower Pipe
 6. Rubber cushion
 7. Screw
 8. **SP-EXP120** Endcap for Upper Pipe (C)
 9. **SP-EXP122** Grip Covr for Lower Pipe (B)



TELESCOPING POLESAW

SC-EXW18/27



REPLACEMENT BLADE:

SB-EXW1

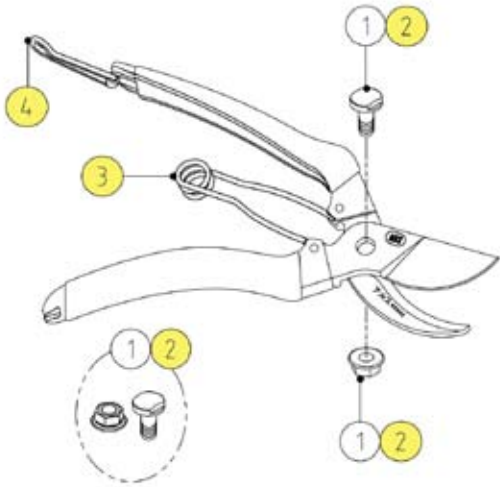
-
1. Endcap for the Bottom Pipe
 2. Holding Screw
 3. Bottom Grip Set for EXW18 (includes grip and joint case)
 4. Bottom Grip Set for EXW27 (includes grip and joint case)
 5. Inner Pipe for EXW18 (without blade holder)
 6. **SP-EXW312** Inner Pipe for EXW27 (without blade holder)
 7. Joint Case for EXW18
 8. **SP-EXW304B** Joint Case for EXW27
 9. **SP-EXW305** Bolt & Nut for Blade Holder to Pipe (1 pc. each)
 10. **SP-EXW307** Blade Holder (Left)
 11. **SP-EXW306** Blade Holder (Right)
 12. **SP-EXW308** Blade Holding Bolt/Nut (1 pc. each)
 13. Plastic Grip Only for the Pottom Pipe
 14. Endcap for Inner Pipe
 15. Screw of Joint Case (2 pcs)

*All highlighted items are available from inventory.
All others are available by Special Order.*



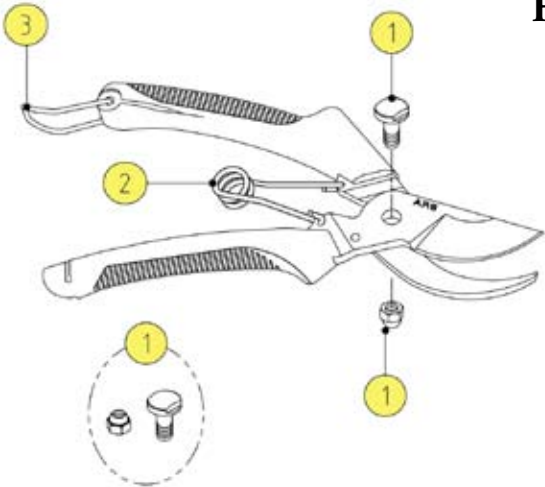
Hand Pruners

HP-120S7/120S8 Traditional Japanese Pruners



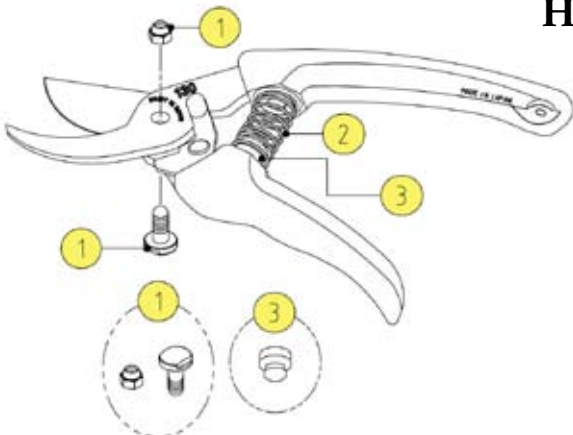
1. Bolt & Nut for HP-120S7
2. **SP-120S808** Bolt & Nut for HP-120S8
3. **SP-120S809** Spring
4. **SP-120S10** Steel Hook

HP-120DX Japanese Style Pruners



1. **SP-HP14** Bolt & Nylon Nut
2. **SP-120DX15** Spring
3. **SP-HP16** Steel Hook

HP-130DX General Purpose Pruners

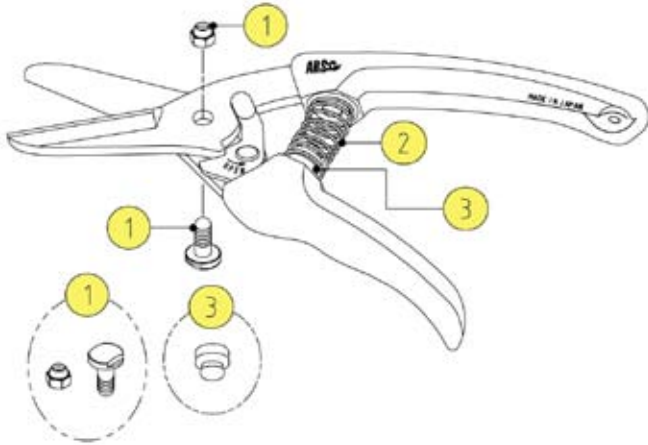


1. **SP-HP14** Bolt & Nylon Nut
2. **SP-HP61** Spring
3. **SP-HP70** Rubber Cushion



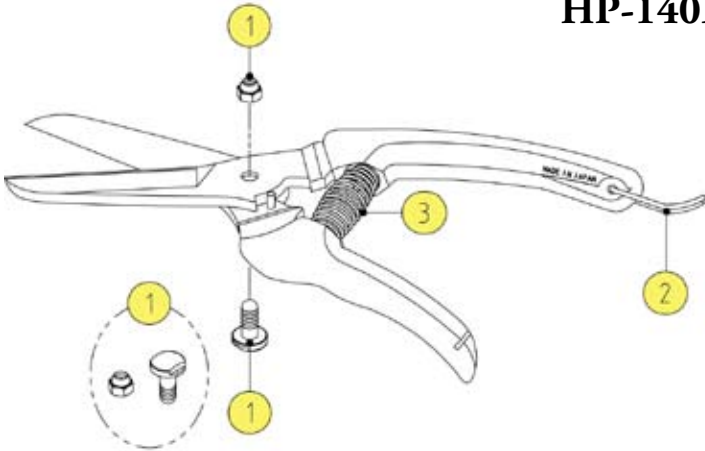
Hand Pruners

HP-140DX Multipurpose Shears



- 1. **SP-HP14** Bolt & Nylon Nut
- 2. **SP-HP61** Spring
- 3. **SP-HP70** Rubber Cushion

HP-140LDX Multipurpose Shears w/ Long Blade



- 1. **SP-HP14** Bolt & Nylon Nut
- 2. **SP-HP16** Steel Hook
- 3. **SP-HP17** Spring

HPK-KS4 GT Pruner



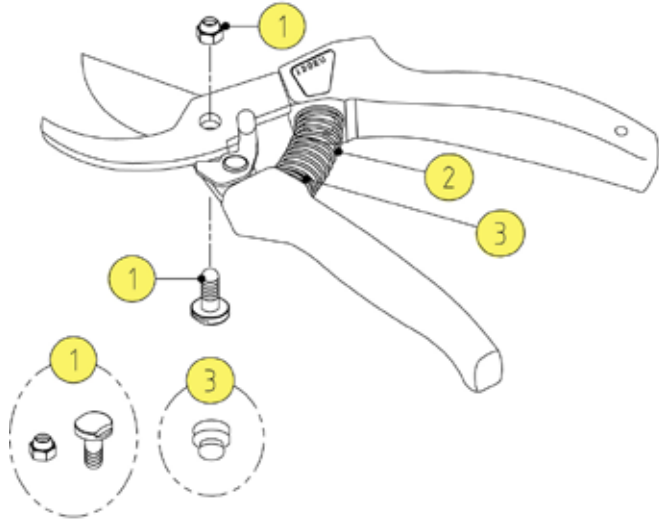
- 1. **SPK-KS4R** Blade, Hard Chrom Plated
- 2. **SPK-KS4BS** Blade Screw
- 3. **SPK-KS4SP** Spring
- 4. **SPK-KS4L** Lever and Screw
- 5. **SPK-KS4CB** Cushion / Bumper
- 6. **SPK-KS4CBN** Center Bolt & Nut
- 7. **SPK-KS4LGS** Locking Gear & Screw

*All highlighted items are available from inventory.
All others are available by Special Order.*



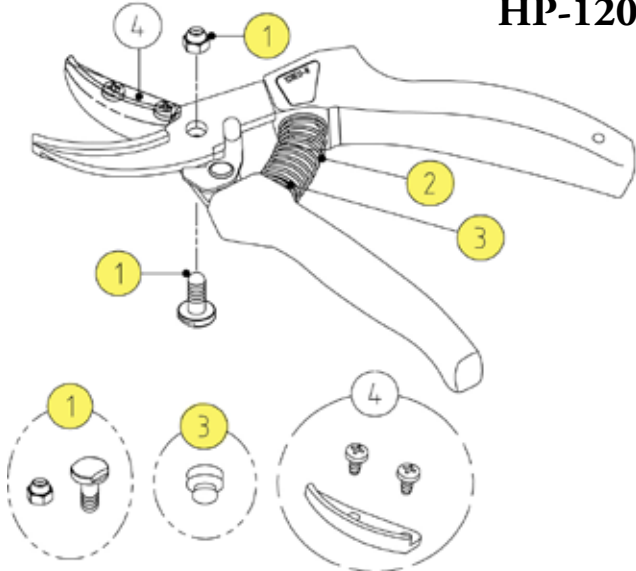
Hand Pruners

HP-120EU 8" Hand Pruner



1. **SP-HP14** Bolt & Nylon Nut
2. **SP-HP157** Spring
3. **SP-HP70** Rubber Cushion

HP-120EUR 8" Pruner with Cut & Hold

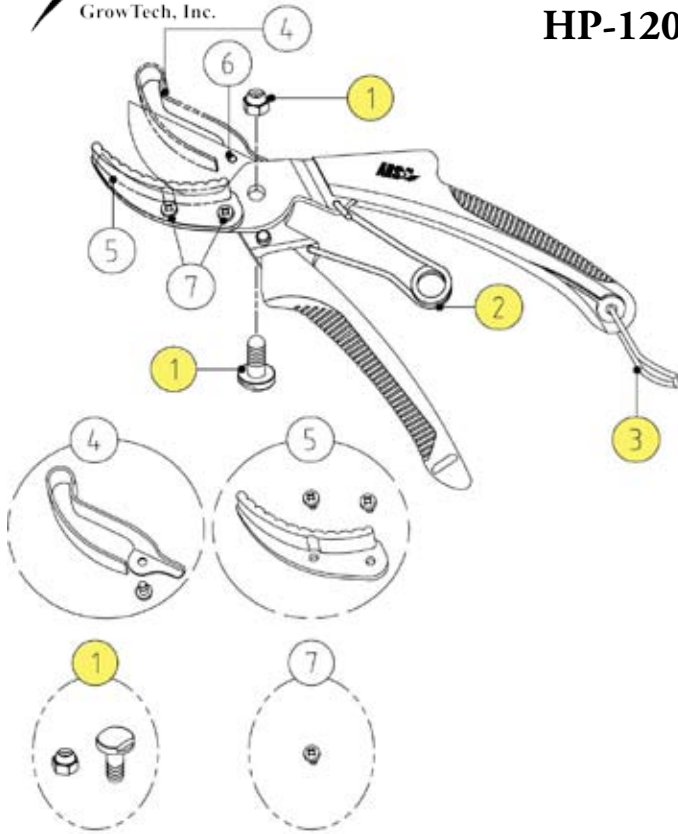


1. **SP-HP14** Bolt & Nylon Nut
2. **SP-HP157** Spring
3. **SP-HP70** Rubber Cushion
4. Holding Device Set



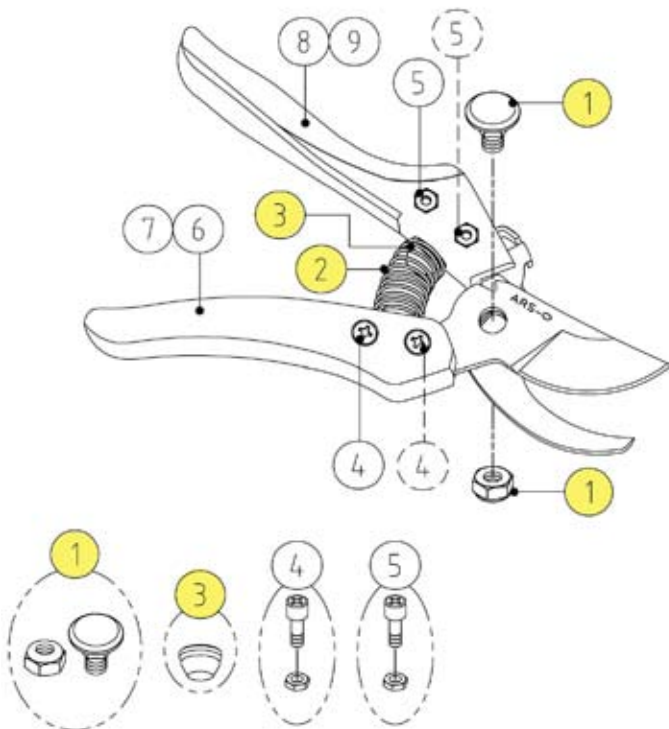
Hand Pruners

HP-120DXT 8" Japanese Style w/ Cut&Hold



- 1. **SP-HP14** Bolt & Nylon Nut
- 2. **SP-HP15** Spring
- 3. **SP-HP16** Steel Hook
- 4. Upper Holding Blade
- 5. Lower Holding Blade
- 6. Bolt for Upper Holding Blade
- 7. Bolt for Lower Holding Blade (1 pc)

HP-CB8 / CB9 ARS Pruner



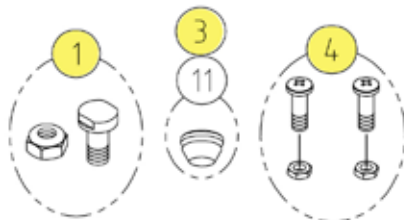
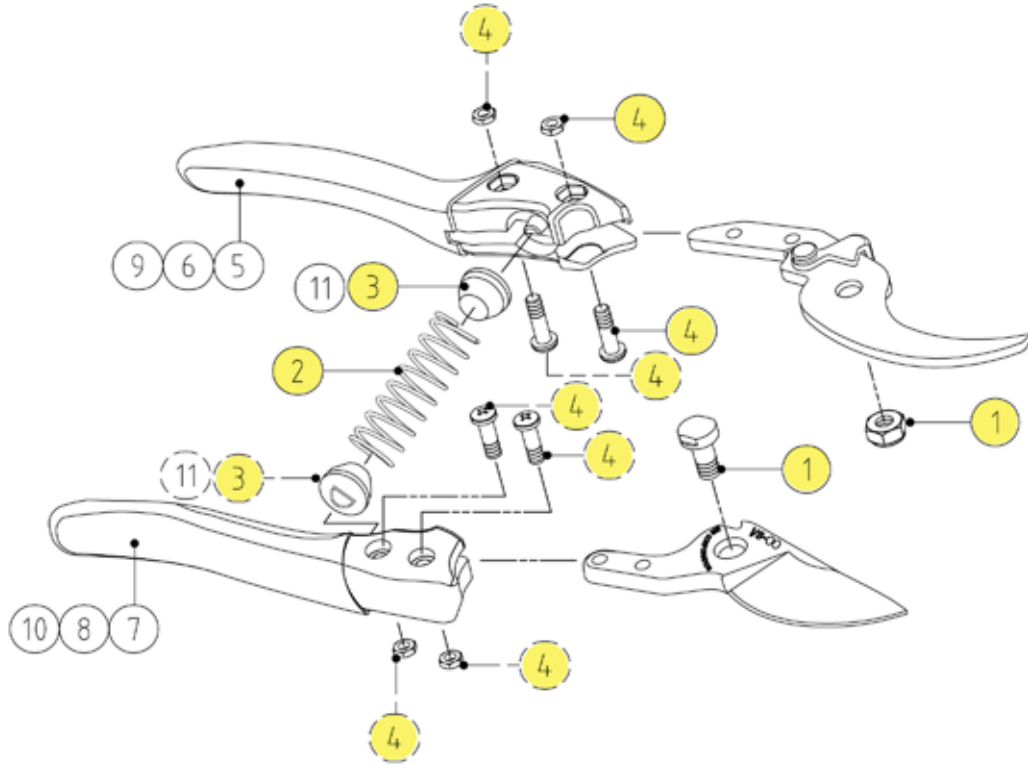
- 1. **SP-HP217** Bolt & Nylon Nut
- 2. **SP-HP218** Spring
- 3. **SP-HP219** Rubber Bumper (1 pc)
- 4. Bolt & Nut for Cutting Blade Grip
- 5. Bolt & Nut for Counter Blade Grip
- 6. Cutting Blade Grip for HP-CB8
- 7. Cutting Blade Grip for HP-CB9
- 8. Counter Blade Grip for HP-CB8
- 9. Counter Blade Grip for HP-CB9

*All highlighted items are available from inventory.
All others are available by Special Order.*



Hand Pruners

HP-VS7/VS8/VS9 Signature Series Pruners



REPLACEMENT BLADE SETS:

SP-VS7Z1	HP-VS7Z
SP-VS8Z1	HP-VS8Z
SP-VS9Z1	HP-VS9Z

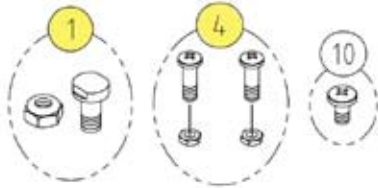
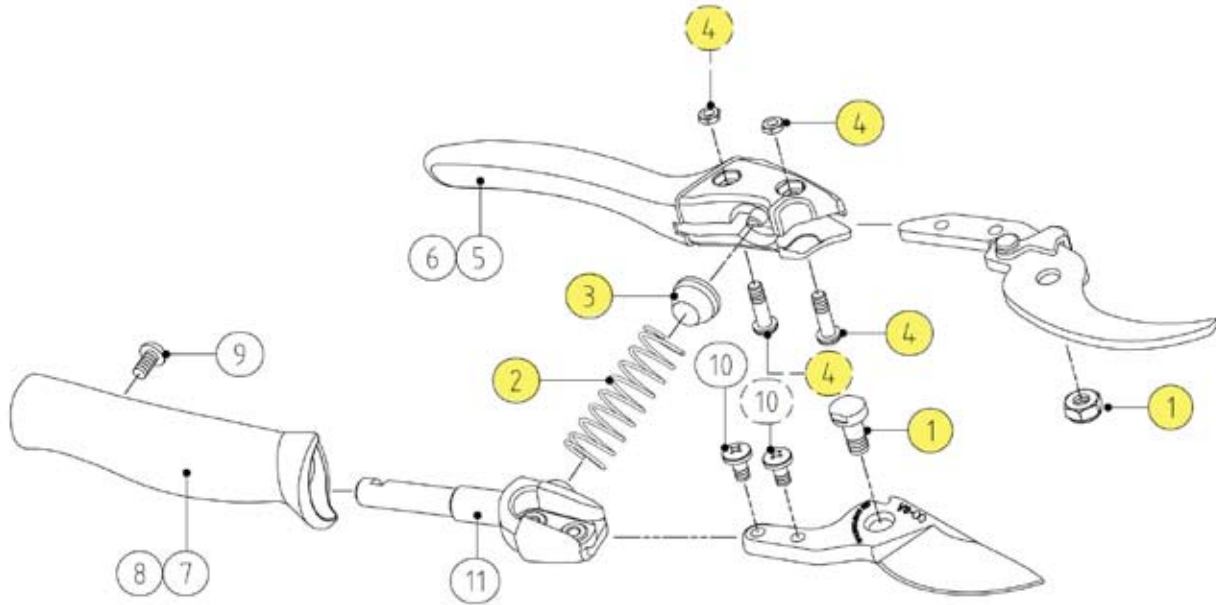
-
- 1. **SP-HP60** Bolt & Nylon Nut
 - 2. **SP-HP61** Spring
 - 3. **SP-HP151** Rubber Bumper for HP-VS8Z/VS9Z(1 pc)
 - 4. **HP-V8323** Handle Screw & Nut
 - 5. Counter Blade Grip for HP-VS8Z
 - 6. Counter Blade Grip for HP-VS9Z
 - 7. Cutting Blade Grip for HP-VS8Z
 - 8. Cutting Blade Grip for HP-VS9Z
 - 9. Counter Blade Grip for HP-VS7Z
 - 10. Cutting Blade Grip for HP-VS7Z
 - 11. Rubber Bumper for HP-VS7Z

*All highlighted items are available from inventory.
All others are available by Special Order.*



Hand Pruners

HP-VS8R/VS9R Rotating Handle Pruners



REPLACEMENT BLADE SETS:

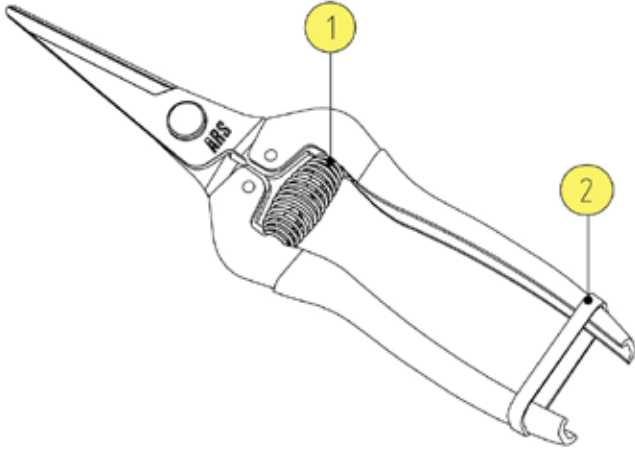
SP-VS8Z1	HP-VS8R
SP-VS9Z1	HP-VS9R

-
- 1. **SP-HP60** Bolt & Nylon Nut
 - 2. **SP-HP61** Spring
 - 3. **SP-HP151** Rubber Bumper for HP-VS8R/VS9R(1 pc)
 - 4. **HP-V8323** Handle Screw & Nut
 - 5. Counter Blade Grip for HP-VS8R
 - 6. Counter Blade Grip for HP-VS9R
 - 7. Rotating Grip for HP-VS8R
 - 8. Rotating Grip for HP-VS9R
 - 9. Bolt for Rolling Grip
 - 10. Blade Holding Bolt for Cutting Blade
 - 11. Axle (Shaft) for Rotating Grip

*All highlighted items are available from inventory.
All others are available by Special Order.*

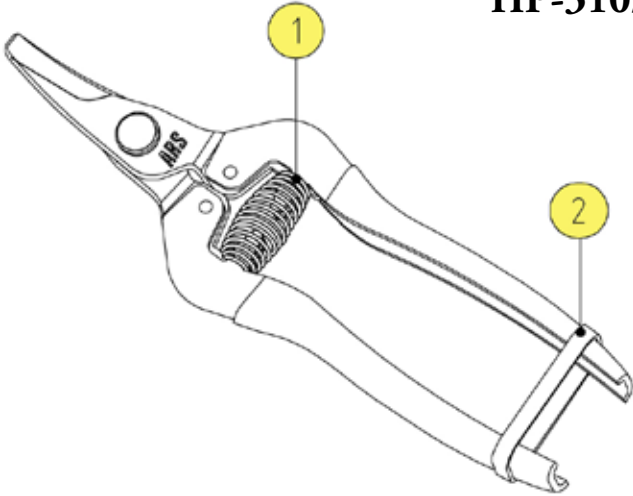
Fruit Pruners

HP-300L/300LDX Needlenose Pruners



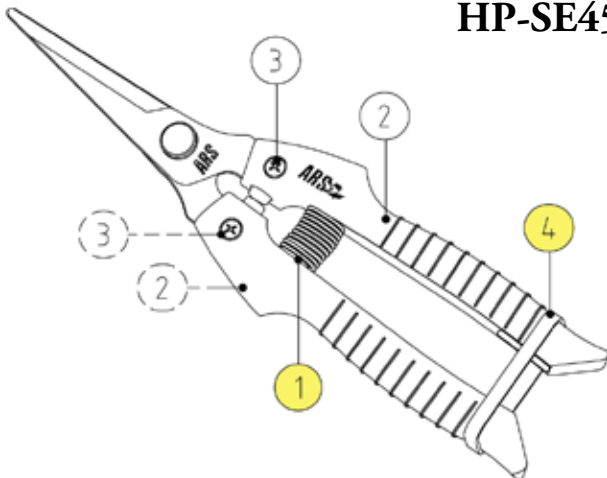
1. **SP-30023** Spring (Coil Type)
2. **SP-HP161** Strap for Handles

HP-310/310DX Curved Fruit Pruners



1. **SP-30023** Spring (Coil Type)
2. **SP-HP161** Strap for Handles

HP-SE45 Needlenose Resin Handle Pruners



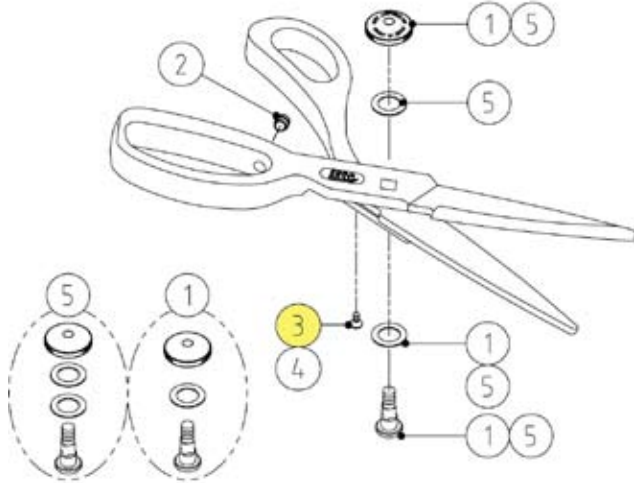
1. **SP-SE188** Spring
2. Grip (1 set)
3. Screw & Nut
4. **SP-HP161** Strap for Handles

*All highlighted items are available from inventory.
All others are available by Special Order.*



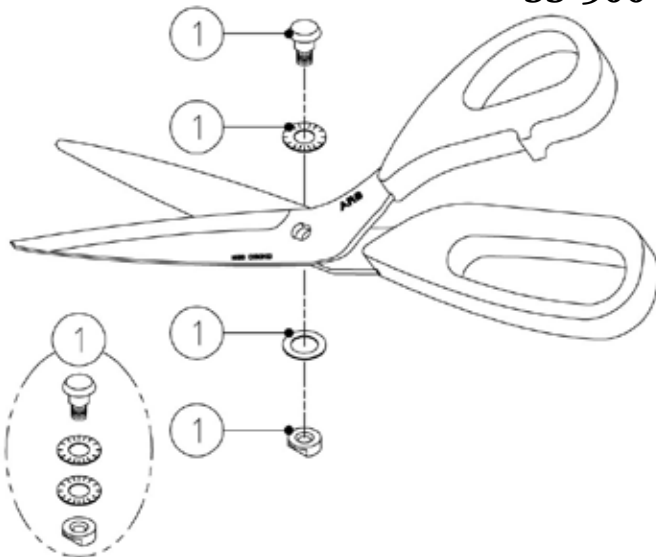
Scissors

SS-526A / 526H ARSUPER Shears



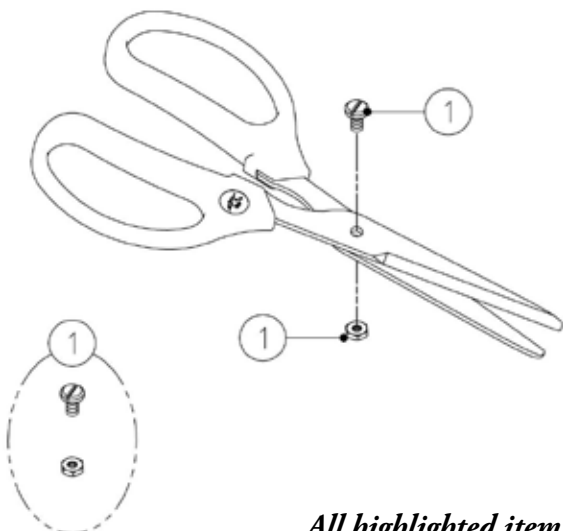
1. Bolt, Nut, & Washer for SS-526H
2. Rubber Cushion (526A/H)
3. **SP-SS297** Screw for SS-526A
4. Screw for SS-526H
5. Bolt, Nut, & 2 Washers for 526A

SS-500 Cloth Shears



1. Bolt & Nut

SS-340HT/340HM Long Blade Signature Shears



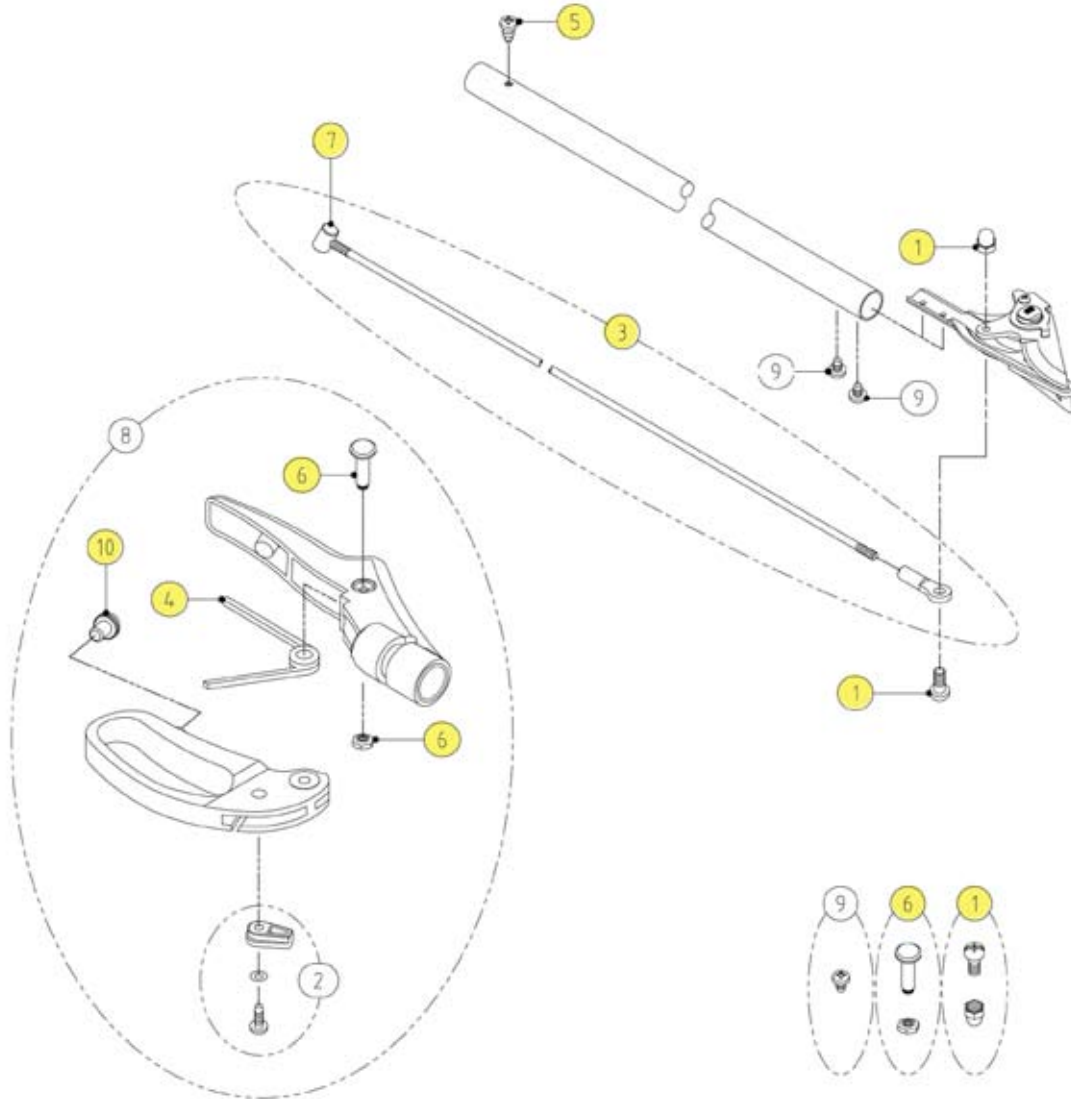
1. Bolt & Nut

*All highlighted items are available from inventory.
All others are available by Special Order.*



LongReach™ Pruners

LA-15006 ARS 2 ft. Rose Pruner



.....
BLADE SETS:

SP-1501 Replacement Cut&Hold Blade Set

- | | | |
|-----|-----------------|---------------------------|
| 1. | SP-LA44 | Rod Fixing Bolt & Nut |
| 2. | | Latch Lock Set for Handle |
| 3. | SP-LA125 | Rod Set |
| 4. | SP-LA101 | Spring for Handle |
| 5. | SP-LA39 | Stop Screw for Handle |
| 6. | SP-LA40 | Bolt & Nut for Handle |
| 7. | SP-LA43 | End Cylinder for Rod |
| 8. | | Handle Set |
| 9. | | Screw (1 pc) |
| 10. | SP-LAXRC | Rubber Bumper (1 pc) |

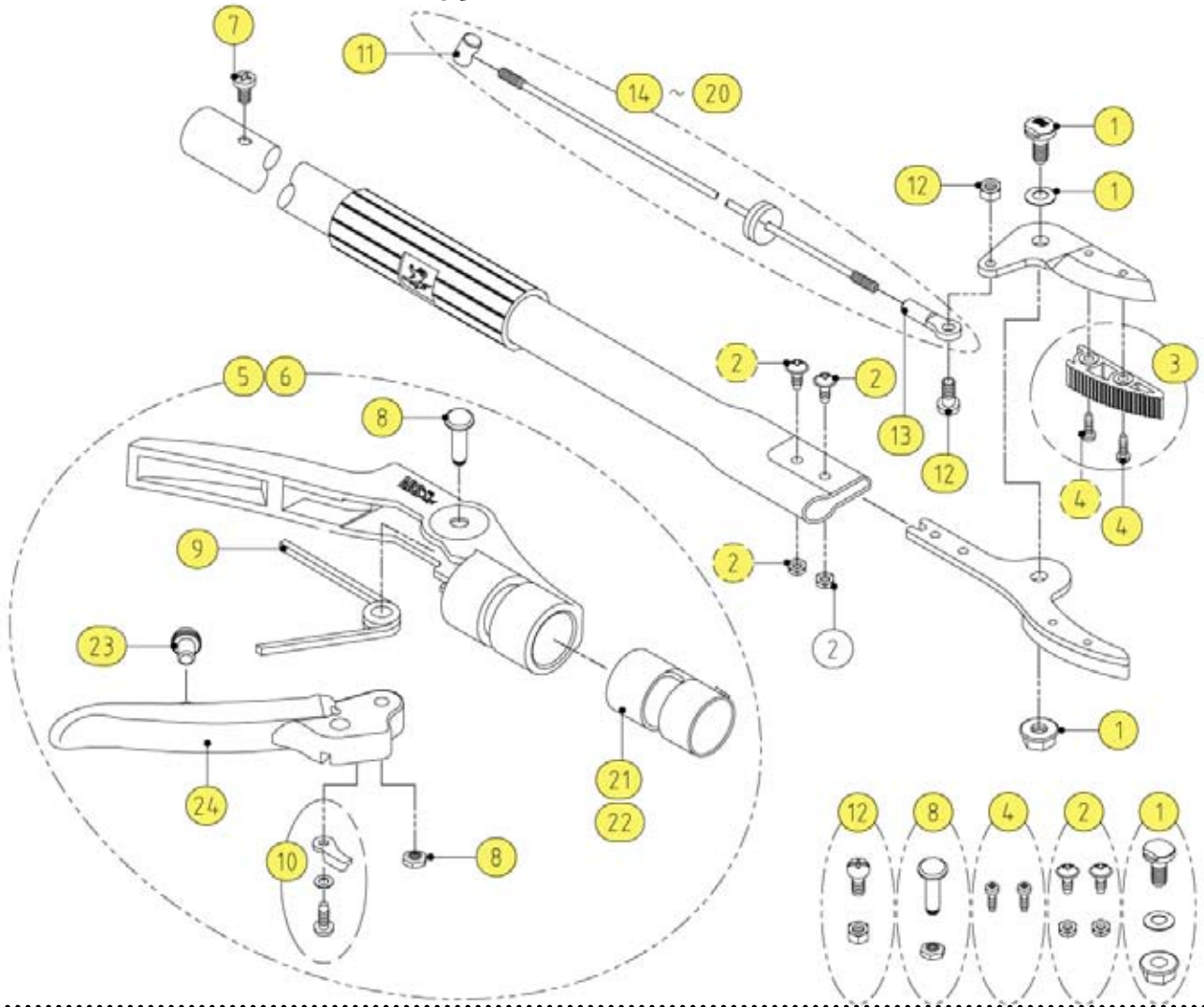
*All highlighted items are available from inventory.
 All others are available by Special Order.*



LongReach™ Pruners

R-Series - ARS Superlight Pruners

LA-160R035/06/12/18 LA-180R06/12/18/24



BLADE SETS:

SP-16027 Replacement Cut & Hold Blade Set

SP-18028 Replacement Razor Edge Blade Set

1. SP-LA30	Bolt, Nut, & Washer	13. SP-LA45	Rod Cap
2. SP-LA31	Screw and Nut	14. SP-LA46	Rod Set for LA-160/180R18 (6' pruner)
3. SP-LA32	Holding Device for 160 Cutting Blade	15. SP-LA48	Rod Set for LA-180R24 (8' pruner)
4. SP-LA33	Screw for 160 Series	SP-LA48S	Short Rod for LA-180R24
5. SP-16038A	Handle Set for 160 Series	16.	Rod Set for LA-160R035
6. SP-18038B	Handle Set for 180 Series	17. SP-LA82	Rod Set for LA-160/180R06 (2' pruner)
7. SP-LA39	Stop Screw inside Handle	18. SP-R180R12	Rod Set for LA-160/180R12 (4' pruner)
8. SP-LA40	Screw & Nut for Handle	19. SP-LA84	Rod Set for LA-160/180R21 (Special Order)
9. SP-LA101	Spring for Handle	20.	Rod Set for 160R15
10. SP-LA42	Latch Lock Set for Handle	21. SP-LA160HB	Sleeve for grip on 160 Series
11. SP-LA43	End Cylinder	22. SP-LA-180HB	Sleeve for grip of 180 Series
12. SP-LA44	Bolt & Nut to connect blade to rod	23. SP-LAXRC	Rubber Cushion for Handle
		24. SP-LA145	Grip Lever Only

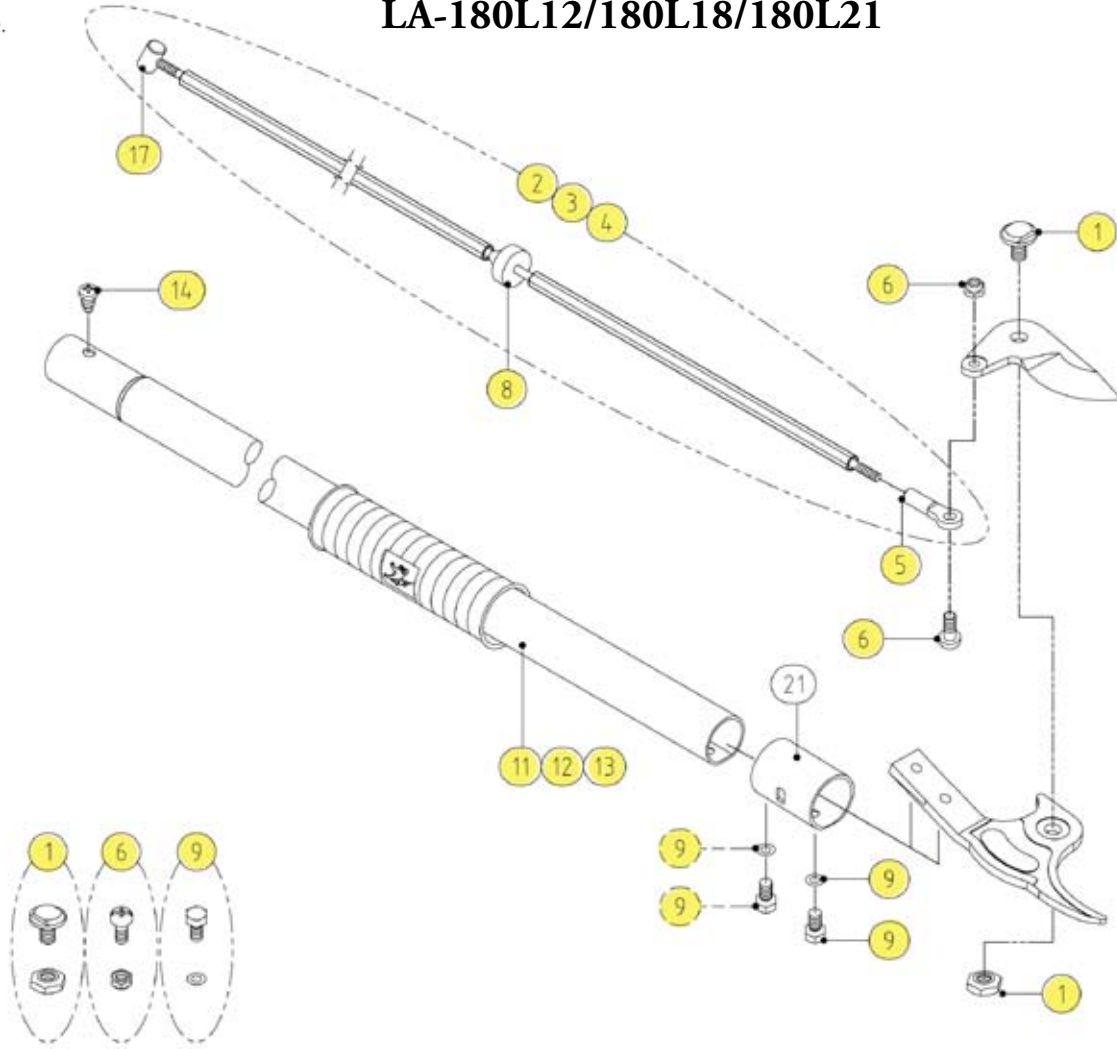
All highlighted items are available from inventory.

All others are available by Special Order.



LongReach™ Pruners

L-Series Heavy Duty Pruner - p 1 of 2 LA-180L12/180L18/180L21



.....
BLADE SETS:

SP-180L1 Replacement Razor Edge Blade Set
.....

- | | | | |
|-------------|---|--------------|--------------------------------------|
| 1. SP-LA216 | Pivot Bolt for Blade Set | 9. SP-LA239 | Bolt and Nut to Attach Blade to Pipe |
| 2. SP-LA236 | Rod Set for LA-180L12
(includes end cylinder, rod holding disc, and rod end cap) | 11. SP-LA290 | Pipe for LA-180L12 - Special Order |
| 3. SP-LA237 | Rod Set for LA-180L18
(includes end cylinder, rod holding disc, and rod end cap) | 12. SP-LA291 | Pipe for LA-180L18 - Special Order |
| 4. SP-LA238 | Rod Set for LA-180L21
(includes end cylinder, rod holding disc, and rod end cap) | 13. SP-LA292 | Pipe for LA-180L21 - Special Order |
| 5. SP-LA264 | Rod End Cap | 14. SP-LA39 | Stop Screw for Handle |
| 6. SP-LA259 | Screw Set to Attach Blade to Rod | 17. SP-LA43 | End Cylinder for Rod |
| 8. SP-LA235 | Rod Holding Disc
(included with Rod Sets) | 21. | Blade Fixing Collar for end of Pipe |

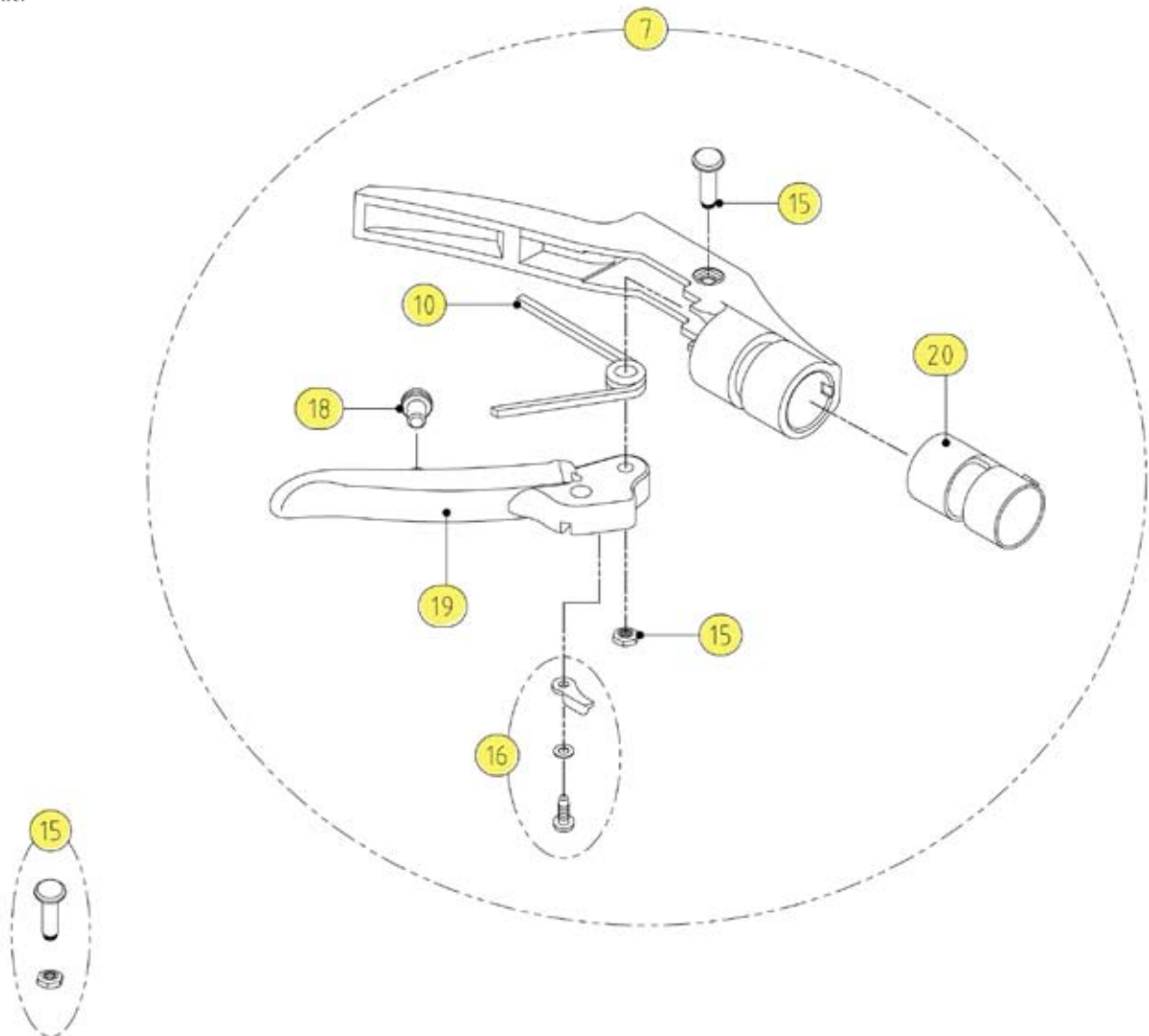
*All highlighted items are available from inventory.
All others are available by Special Order.*



LongReach™ Pruners

L-Series Heavy Duty Pruner - p 2 of 2

LA-180L12/180L18/180L21



-
- 7. **SP-LA79** Handle Set (Includes everything inside large circle above)
 - 10. **SP-LA101** Handle Spring
 - 15. **SP-LA40** Screw & Nut for the Handle
 - 16. **SP-LA42** Latch Lock Set
 - 18. **SP-LAXRC** Rubber Cushion for the Handle
 - 19. **SP-LA145** Grip Lever Only
 - 20. **SP-LA167** Sleeve for the Handle

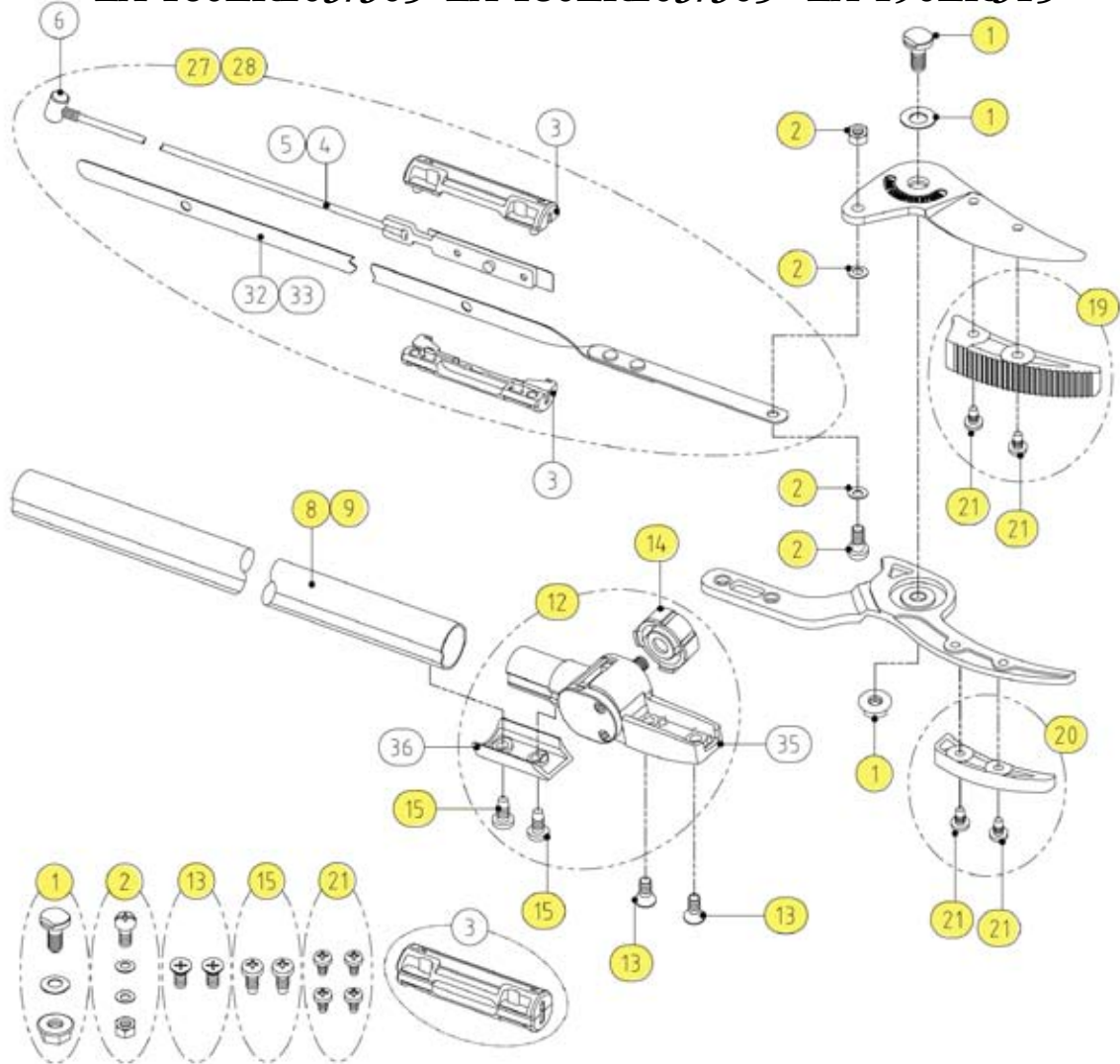
*All highlighted items are available from inventory.
All others are available by Special Order.*



LongReach™ Pruners

ZR-Series Telescoping Pruner - p 1 of 2

LA-160ZR203/305 LA-180ZR203/305 LA-190ZR315



BLADE SETS:

- SP-180ZR1** Replacement Razor Edge Blade Set
- SP-160ZR1** Replacement Cut & Hold Blade Set
- SP-190ZR1** Replacement Shearing Head (Super Trimmer) Blade Set

- | | | | |
|---------------------|--|---------------------|---|
| 1. SP-ZR334 | Pivot Bolt for Blade Set | 19. SP-ZR351 | Holding device for cutting blade for 160ZR head (includes 2 screws) |
| 2. SP-LA74 | Screw Set connect blade to rod | 20. SP-ZR352 | Holding device for counter blade for 160ZR head (includes 2 screws) |
| 3. | Inner case for band set | 21. SP-ZR353 | Screws for 160ZR Holding Device (4) |
| 4. | Rod Only for ZR203 | 27. SP-ZR203 | Steel Band Set for ZR203 (4' - 7') |
| 5. | Rod Only for ZR305 | 28. SP-ZR305 | Steel Band Set for ZR305 (6' - 10') |
| 6. SP-LA43 | End Cylinder for Rod | 32. | Steel Band only for ZR203 |
| 8. SP-ZR340 | Upper Pipe for ZR203 | 33. | Steel Band only for ZR305 |
| 9. SP-ZR341 | Upper Pipe for ZR305 | 35. | Tile Case only |
| 12. SP-ZR344 | Tilt Case Set | 36. | Tilt Case fixing plate (no screws) |
| 13. SP-ZR345 | Screws to attach blade to tilt case (2 pcs) | | |
| 14. SP-ZR346 | Dial Nut | | |
| 15. SP-ZR347 | Screws to attached tilt case to pipe (2 pcs) | | |

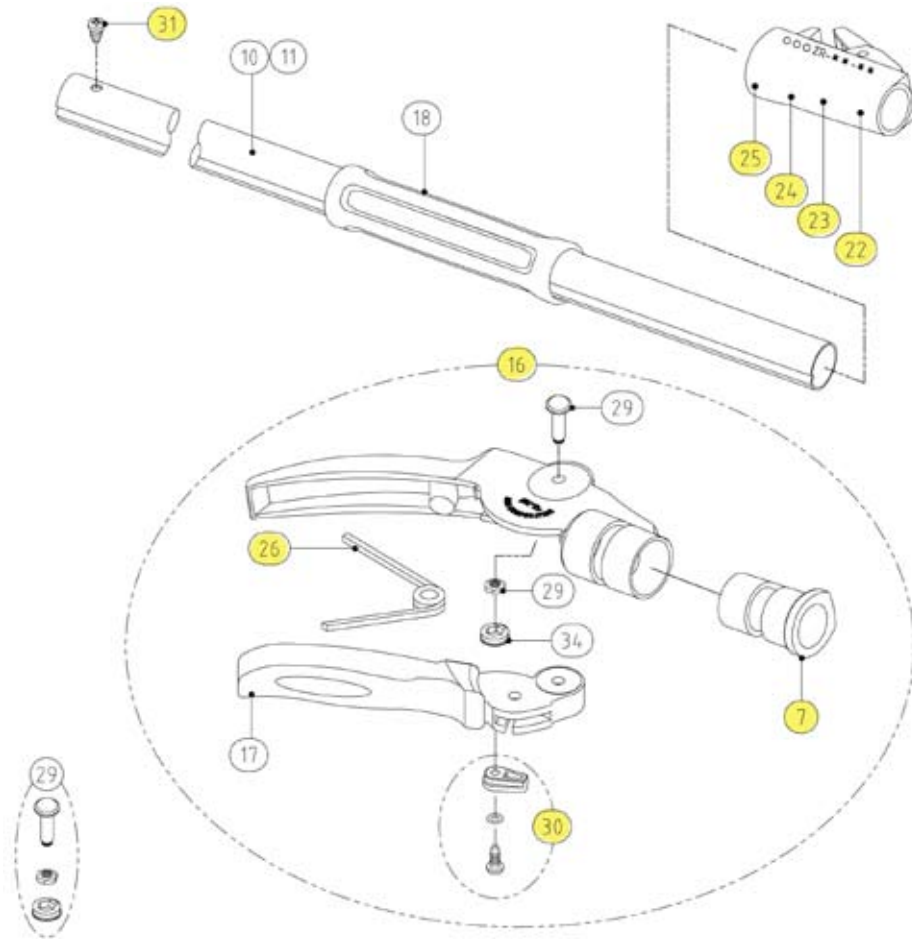
*All highlighted items are available from inventory.
All others are available by Special Order.*



LongReach™ Pruners

ZR-Series Telescoping Pruner - p 2 of 2

LA-160ZR203/305 LA-180ZR203/305 LA-190ZR315



-
- | | | | | |
|-----|-----------------|---|-----|------------------------------|
| 7. | SP-ZR339 | Sleeve for the grip | 29. | Center Bolt & Nut for Handle |
| 10. | | Lower pipe for ZR203 | 30. | SP-ZR380 |
| 11. | | Lower pipe for ZR305 | 31. | SP-LA39 |
| 16. | SP-ZR348 | Handle Set (includes everything inside of large circle above) | 34. | Nut cap for Handle |
| 17. | | Handle lever only | | |
| 18. | | Middle grip for pipe | | |
| 22. | SP-ZR354 | Joint case set for 160ZR203 | | |
| 23. | SP-ZR355 | Joint case set for 160ZR305 | | |
| 24. | SP-ZR356 | Joint case set for 180ZR203 | | |
| 25. | SP-ZR357 | Joint case set for 180ZR305 | | |
| 26. | SP-LA101 | Spring for Handle | | |

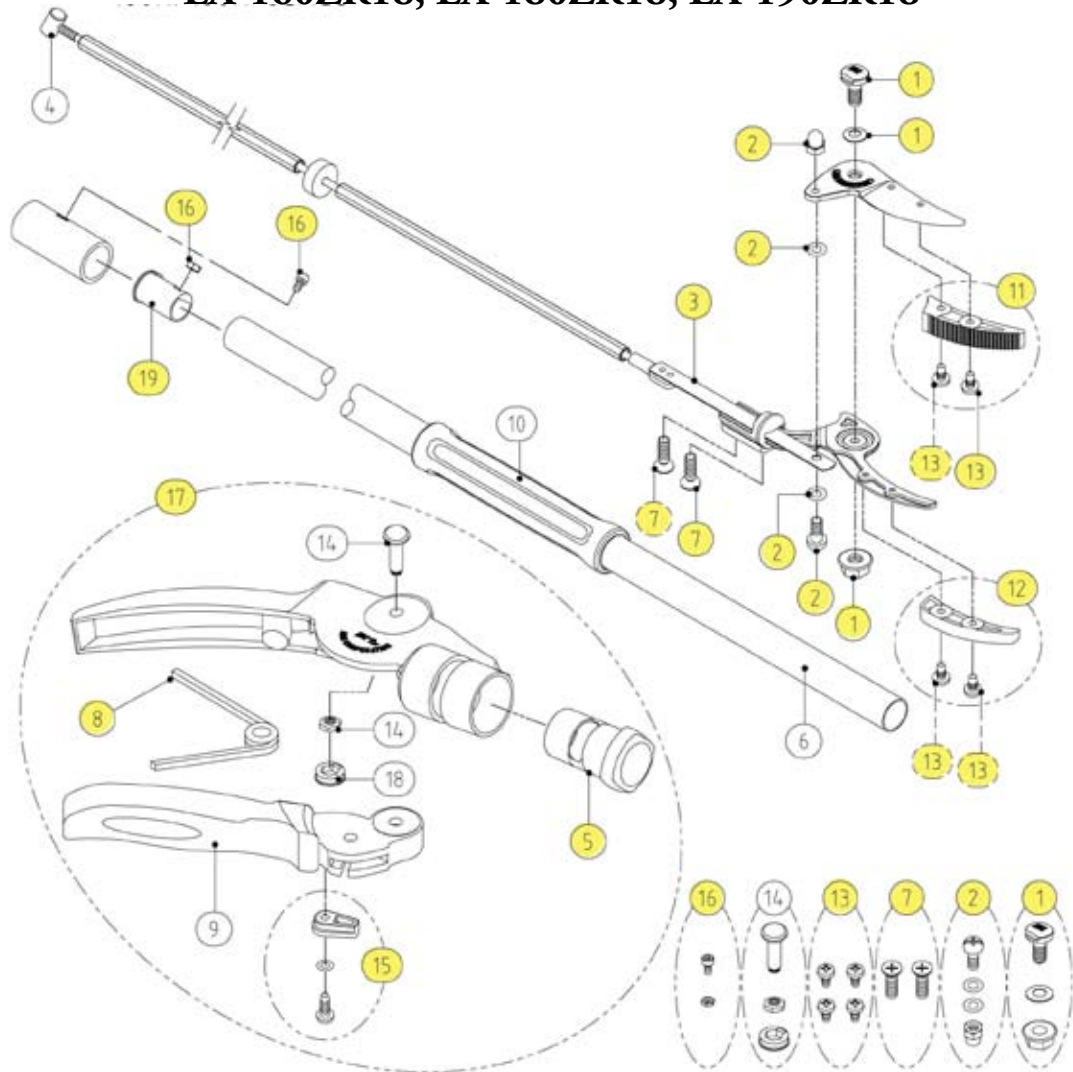
*All highlighted items are available from inventory.
All others are available by Special Order.*



LongReach™ Pruners

ZR-Series Fixed 6 ft. Pruner

LA-160ZR18, LA-180ZR18, LA-190ZR18



BLADE SETS:

- SP-180ZR1** Replacement Razor Edge Blade Set
- SP-160ZR1** Replacement Cut & Hold Blade Set
- SP-190ZR1** Replacement Shearing Head (Super Trimmer) Blade Set

- | | | | |
|---------------------|------------------------------|---------------------|--|
| 1. SP-ZR334 | Bolt, Washer, & Nut | 11. SP-ZR351 | Holding Device for 160ZR18 Cutting blade (includes 2 screws) |
| 2. SP-LA74 | Screw, Nut, Washers for Hoop | 12. SP-ZR352 | Holding Device for 160ZR18 Counter blade (includes 2 screws) |
| 3. SP-LA392 | Rod Set | 13. SP-ZR353 | Screws (4 pcs) |
| 4. SP-LA392 | Rod Fixing Part | 14. | Center Bolt & Nut for grip |
| 5. SP-LA339 | Sleeve for Grip | 15. SP-ZR380 | Handle Latch Lock Set |
| 6. SP-LA339 | Pipe | 16. SP-ZR400 | Stop Screw & Nut |
| 7. SP-ZR345 | Screws (2 pcs.) | 17. SP-ZR348 | Complete Grip Set |
| 8. SP-LA101 | Handle Spring | 18. | Nat Cap for Handle |
| 9. SP-LA101 | Grip Lever Only | 19. SP-ZR418 | Sleeve for Stop Screw |
| 10. SP-LA101 | Middle Grip | | |

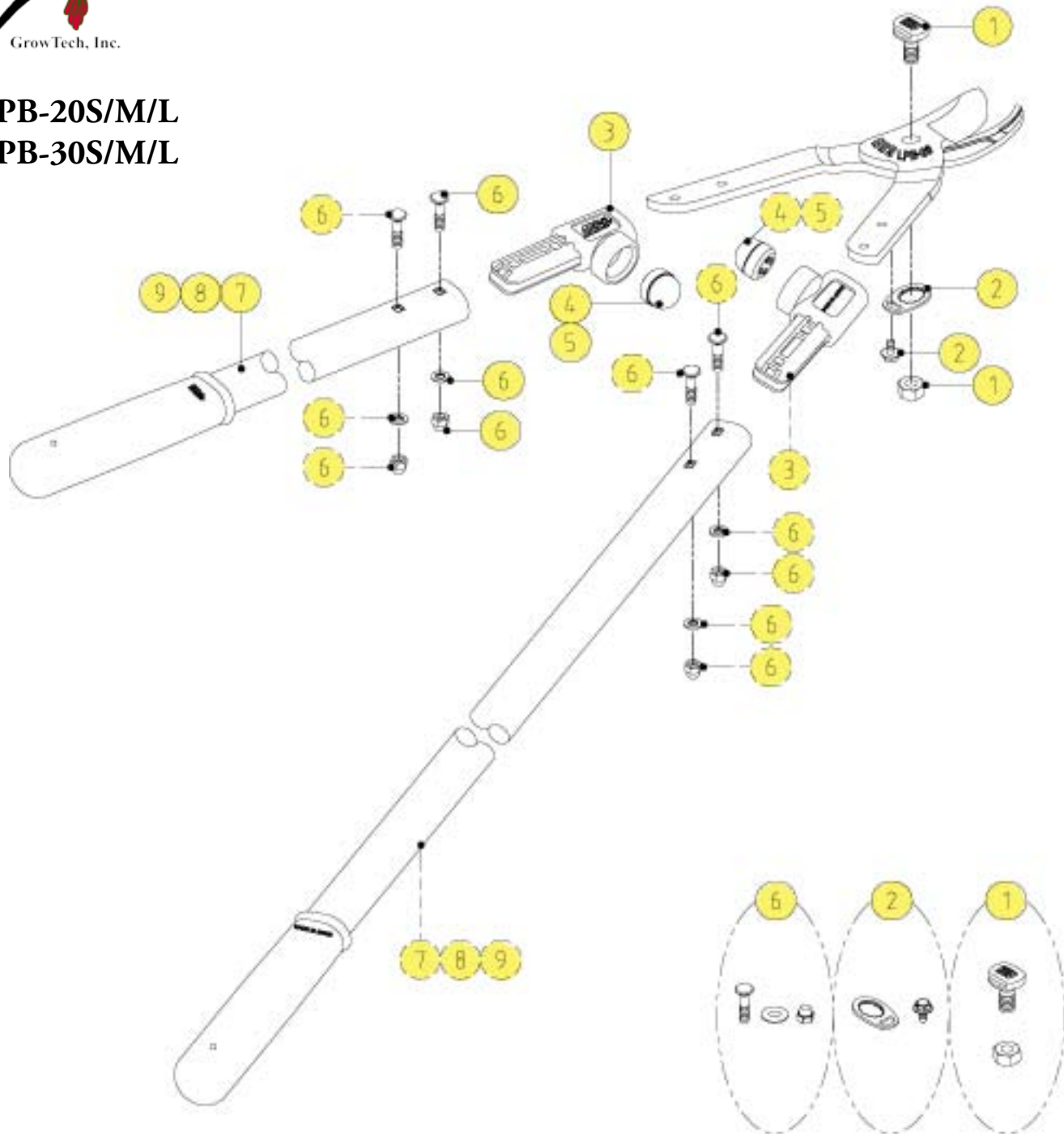
*All highlighted items are available from inventory.
All others are available by Special Order.*



LOPPERS

LPB-20S/M/L

LPB-30S/M/L



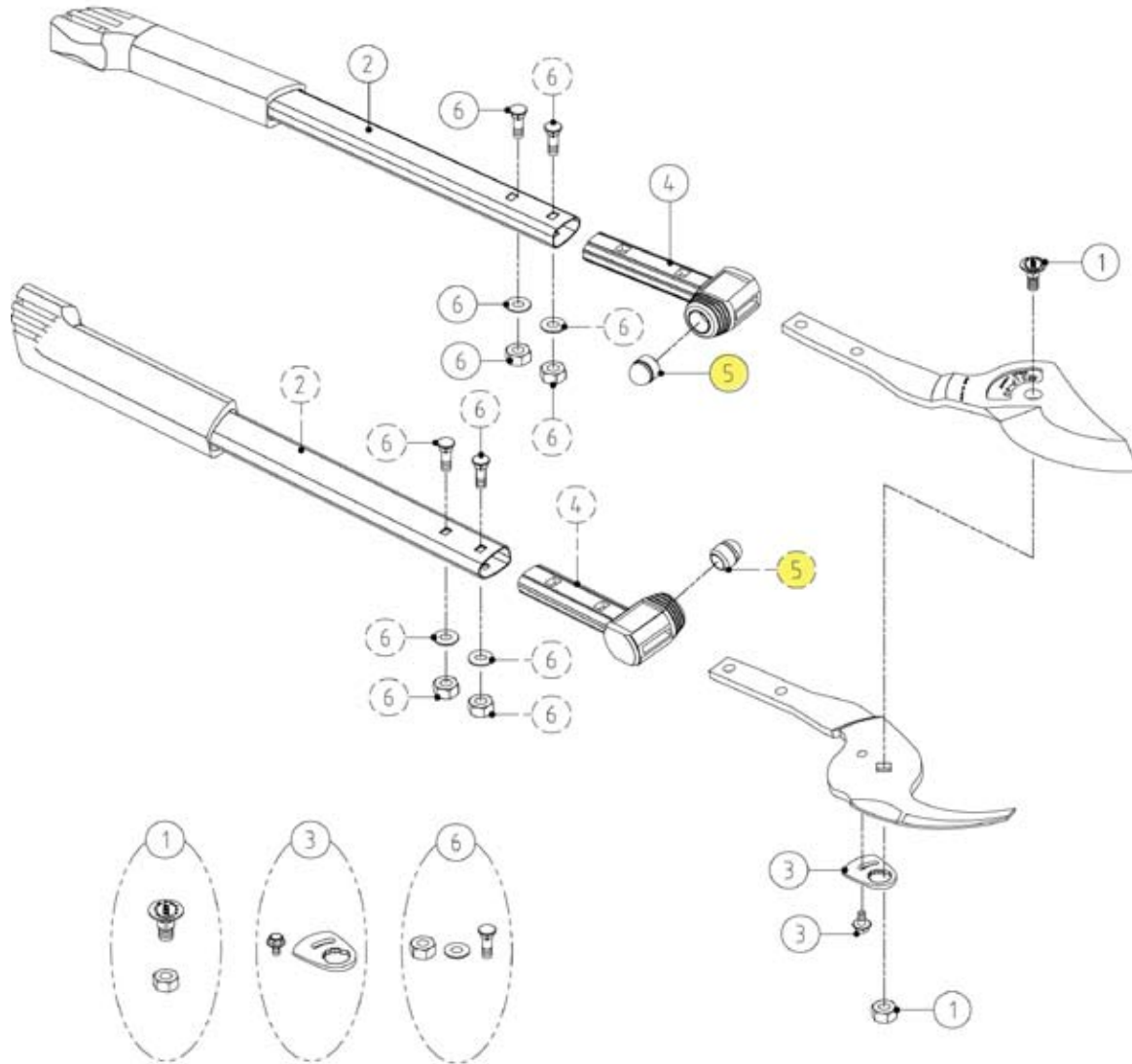
1. **SP-LPB288** Center Bolt & Nut
2. **SP-LPB426** Screw Retainer Set
3. **SP-LPB419** Bumper Socket Set (1 pc.)
4. **SP-LPB420** Shock Absorber Set for LPB-20S/30S (1 pc.)
5. **SP-LPB421** Shock Absorber Set for LPB-20M/L & LPB-30M/L (1 pc.)
6. **SP-LPB387** Blade Holding Bolt, Nut, & Washer (1 pc each)
7. **SP-LPB422** Pipe with Grip for LPB-20S/30S
8. **SP-LPB423** Pipe with Grip for LPB-20M/30M (1 pc)
9. **SP-LPB389** Pipe with Grip for LPB-20L/30L & LPA-30L (1 pc)

BLADE SETS:

- SP-LPB201** Cutting Blade for LPB-20S/M/L
- SP-LPB202** Counter Blade for LPB-20S/M/L
- SP-LPB301** Cutting Blade for LPB-30S/M/L
- SP-LPB302** Counter Blade for LPB-30S/M/L

*All highlighted items are available from inventory.
All others are available by Special Order.*

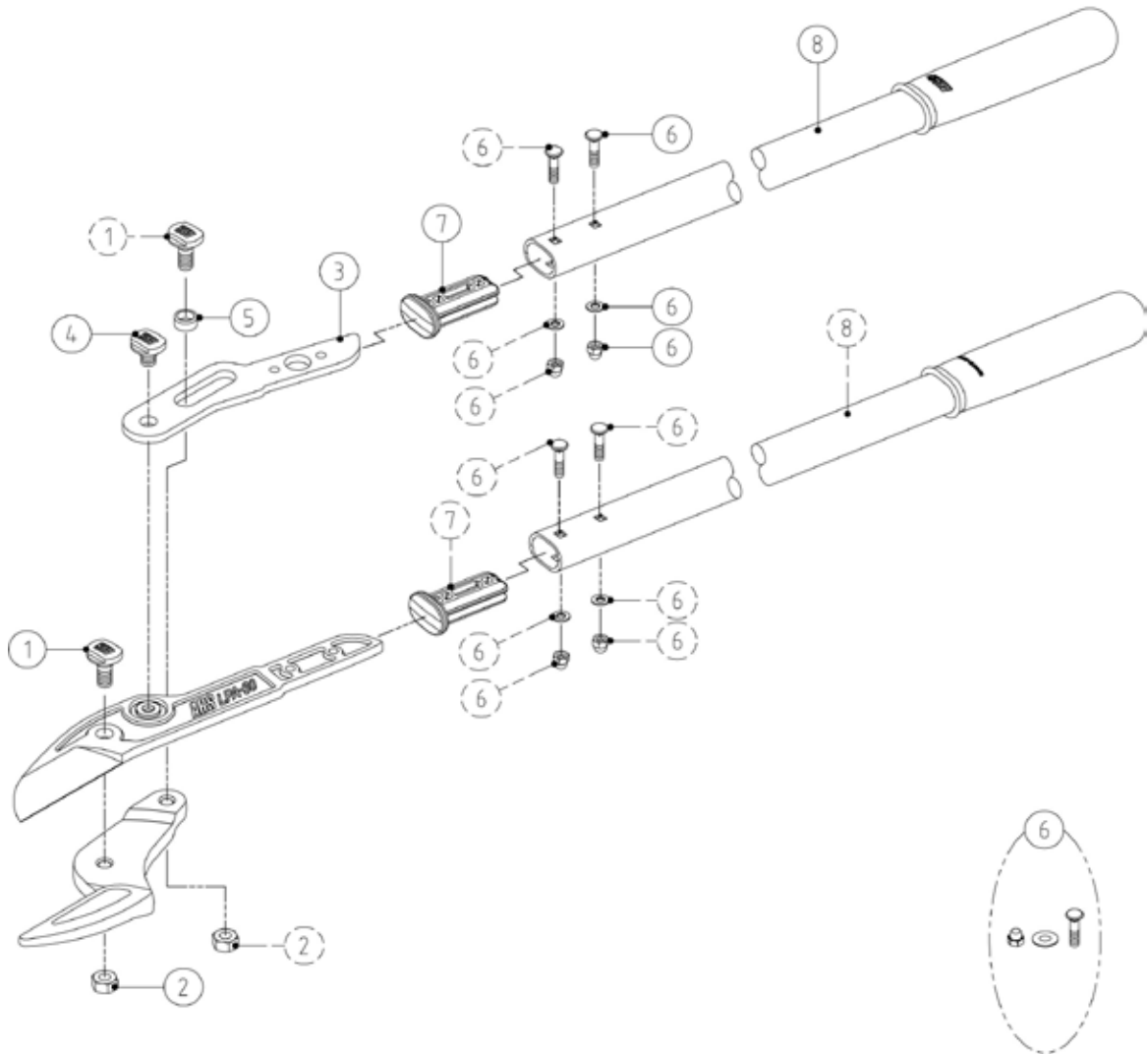
LP-40



-
- 1. Center Bolt & Nut
 - 2. Pipe with Grip (1 pc)
 - 3. Screw Retainer Set
 - 4. Bumper Socket
 - 5. **SP-LP250** Shock Absorber
 - 6. Blade Holding Bolt, Nut, & Washer (1 pc each)

*All highlighted items are available from inventory.
All others are available by Special Order.*

LP-A30L Anvil Loppers



-
- 1. Center Bolt
 - 2. Center Nut
 - 3. Link
 - 4. Fulcrum Bolt of Link
 - 5. Link Spacer
 - 6. Blade Holding Bolt, Nut, & Washer
 - 7. Blade Holding Socket
 - 8. Pipe with Grip (1 pc.)

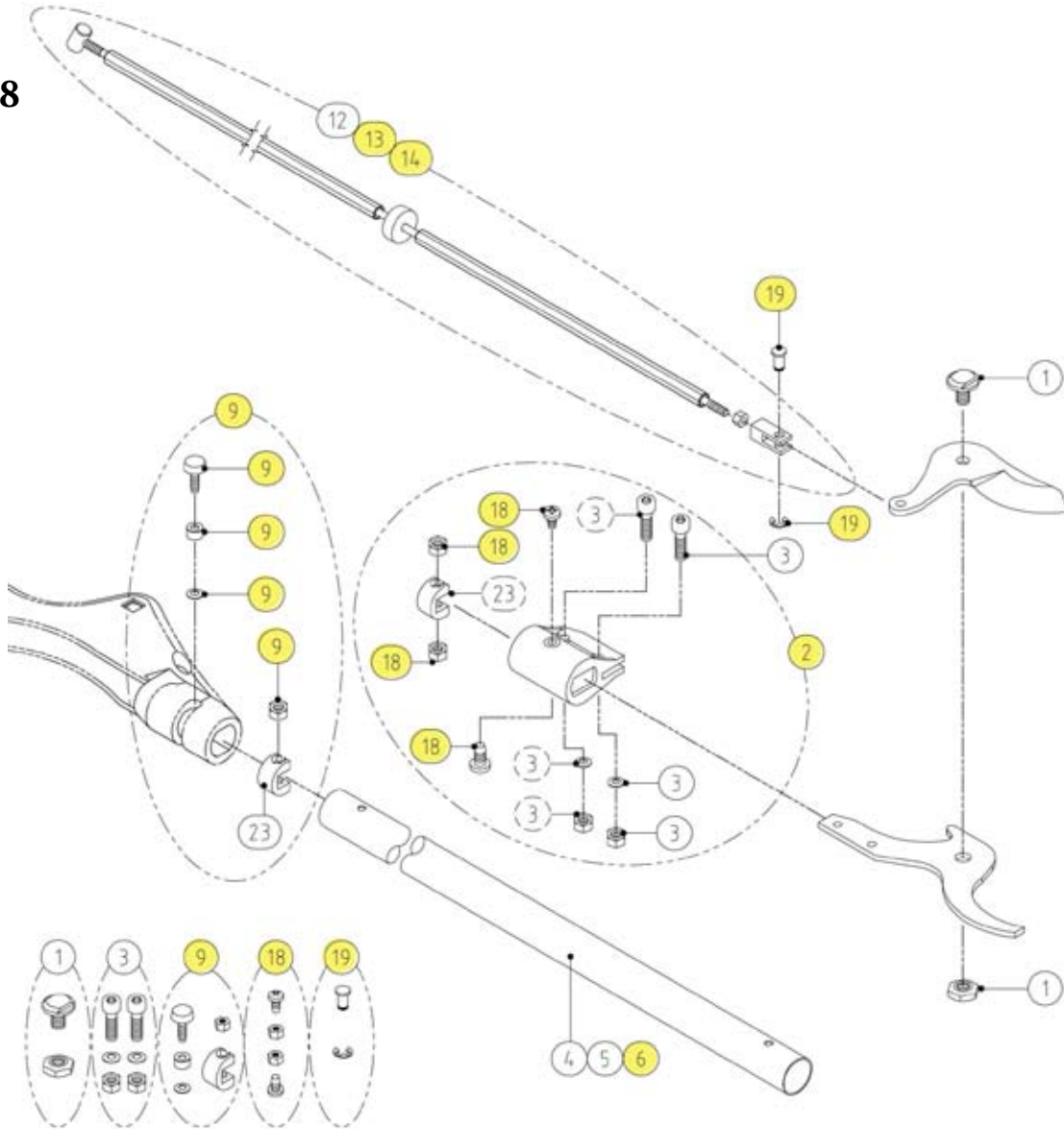
*All highlighted items are available from inventory.
All others are available by Special Order.*



LongReach™ Loppers

LP-18515/18

page 1 of 2



.....
BLADE SETS:

SP-1851 Replacement Razor Edge Blade Set

.....

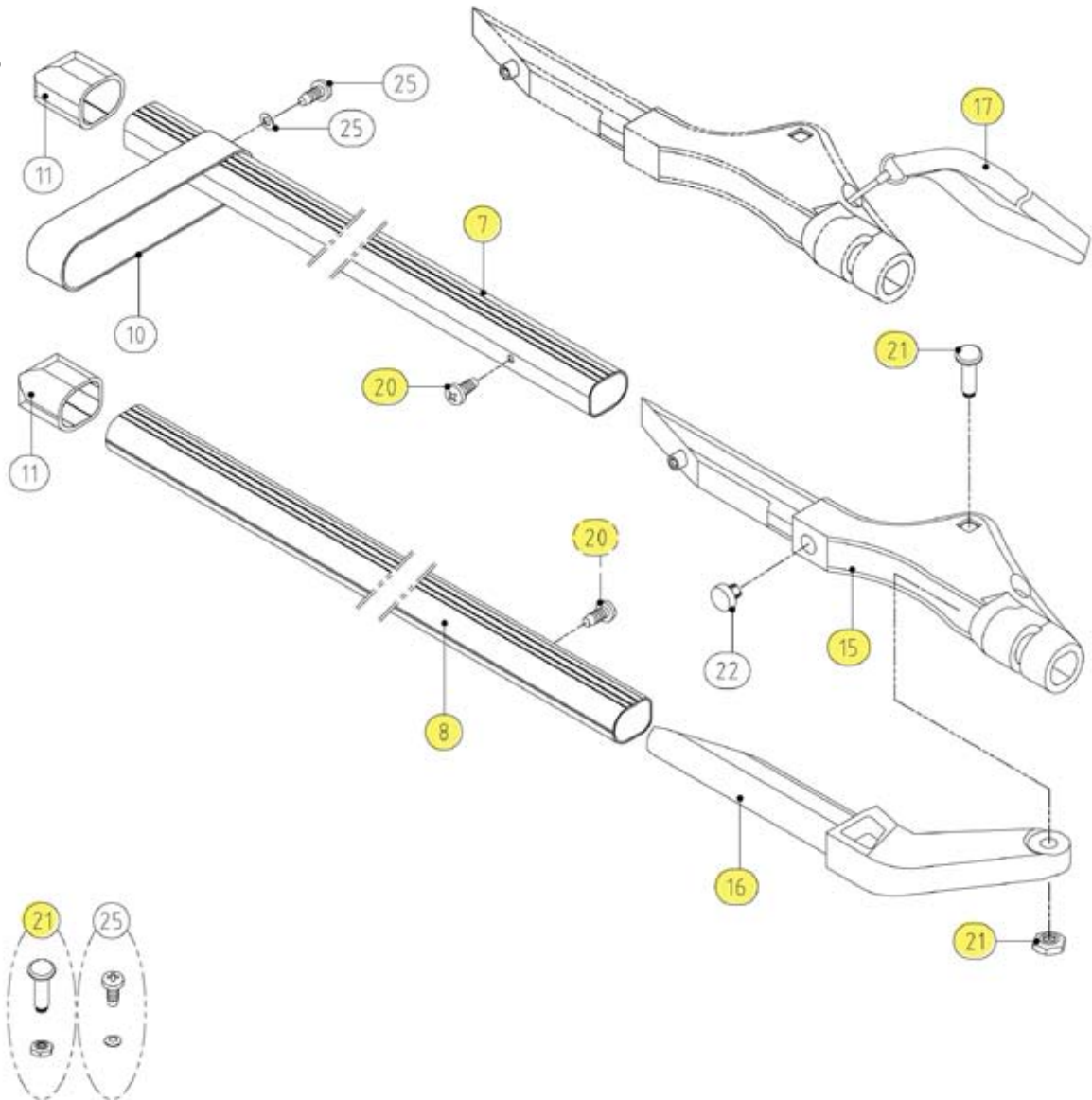
- | | | | | | |
|-----|-----------------------------------|--|------------------|------------------------------|----------------------|
| 1. | Bolt & Nut | 13. | SP-185231 | Rod Set for LP-18515 | |
| 2. | SP-185206 | Fitting Parts Set | 14. | SP-185232 | Rod Set for LP-18518 |
| 3. | Cap Bolt, Nut, & Washer | 18. | SP-185240 | Bolt & Nut for Fitting Parts | |
| 4. | Pipe for LP-18512 | 19. | SP-185163 | Rod Fixing Pin & Stopper | |
| 5. | Pipe for LP-18515 (Special Order) | 23. | | Rod Guide (1 pc) | |
| 6. | SP-185210 | Pipe for LP-18518 (Special Order) | | | |
| 9. | SP-185213 | Bolt, Nut, Tube, Washer, and Rod Guide | | | |
| 12. | Rod Set for LP-18512 | | | | |



LongReach™ Loppers

LP-18515/18

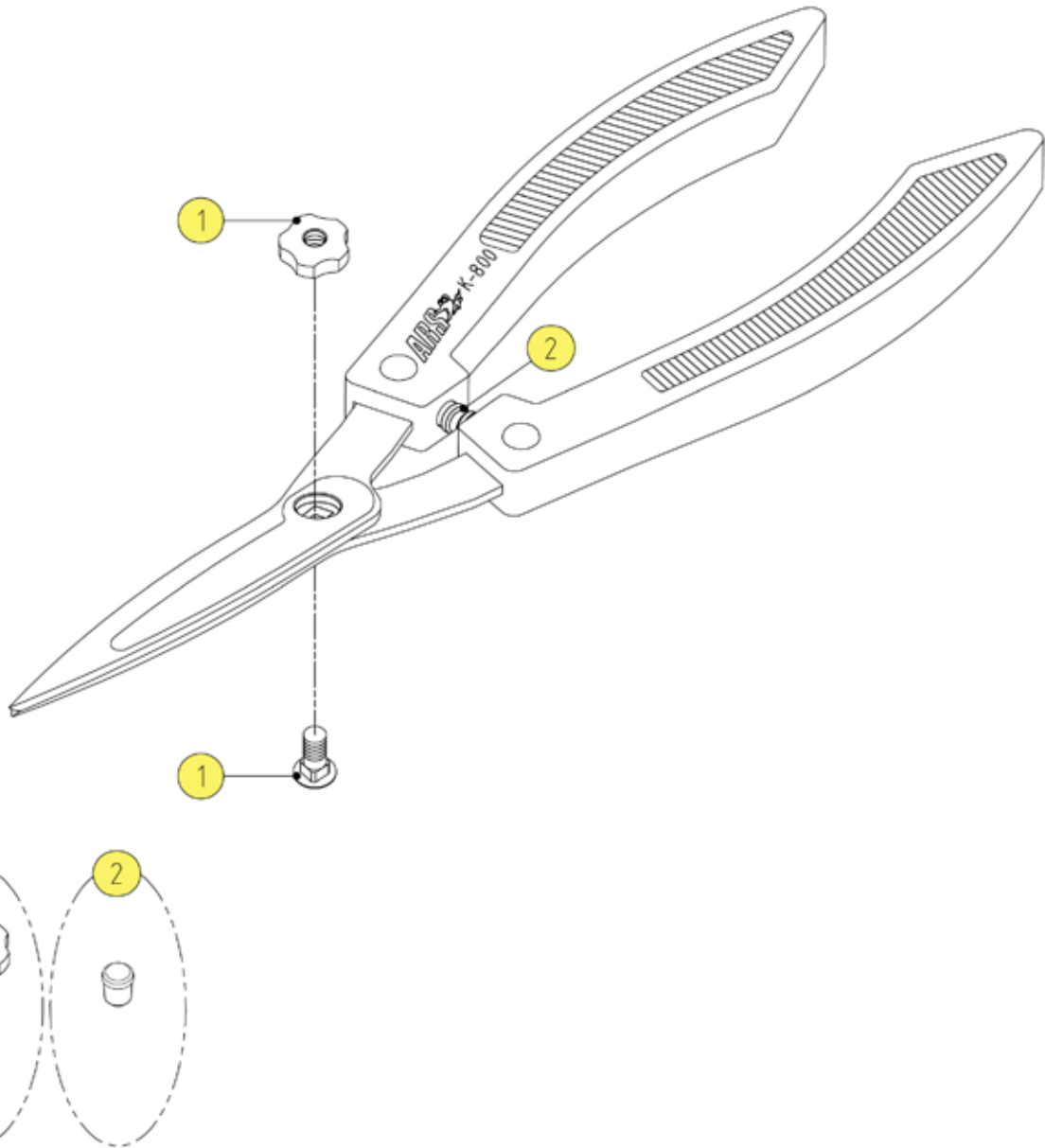
page 2 of 2



-
- | | | | | | |
|-----|------------------|------------------------------|-----|------------------|-----------------------------|
| 7. | SP-185211 | Lever Pipe 1 - Special Order | 16. | SP-185253 | Lever |
| 8. | SP-185212 | Lever Pipe 2 - Special Order | 17. | SP-185STP | Strap |
| 10. | | Stopper Band Only | 20. | SP-185318 | Bolt for Lever Pipe (1 pc.) |
| 11. | | End Cap | 21. | SP-185319 | Bolt & Nut for Grip |
| 15. | SP-185252 | Grip Only | 22. | | Rubber Cushion |
| | | | 25. | | Bolt & Nut for Stopper Band |

*All highlighted items are available from inventory.
All others are available by Special Order.*

HEDGE SHEARS



-
1. **SP-80058** Bolt & Nut
 2. **SP-80059** Rubber Cushion (1 each)

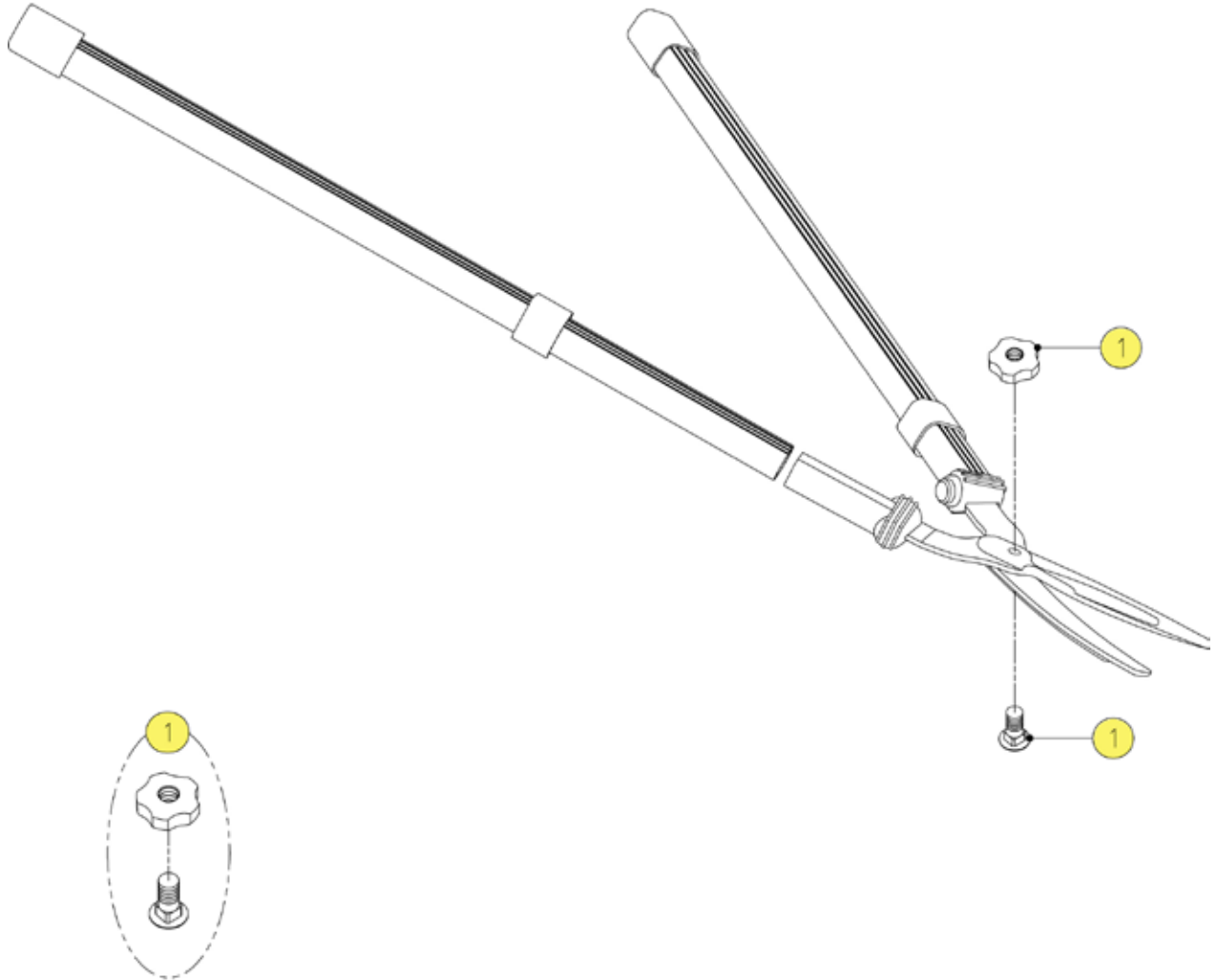
*All highlighted items are available from inventory.
All others are available by Special Order.*



HEDGE SHEARS

GrowTech, Inc.

HS-K900Z



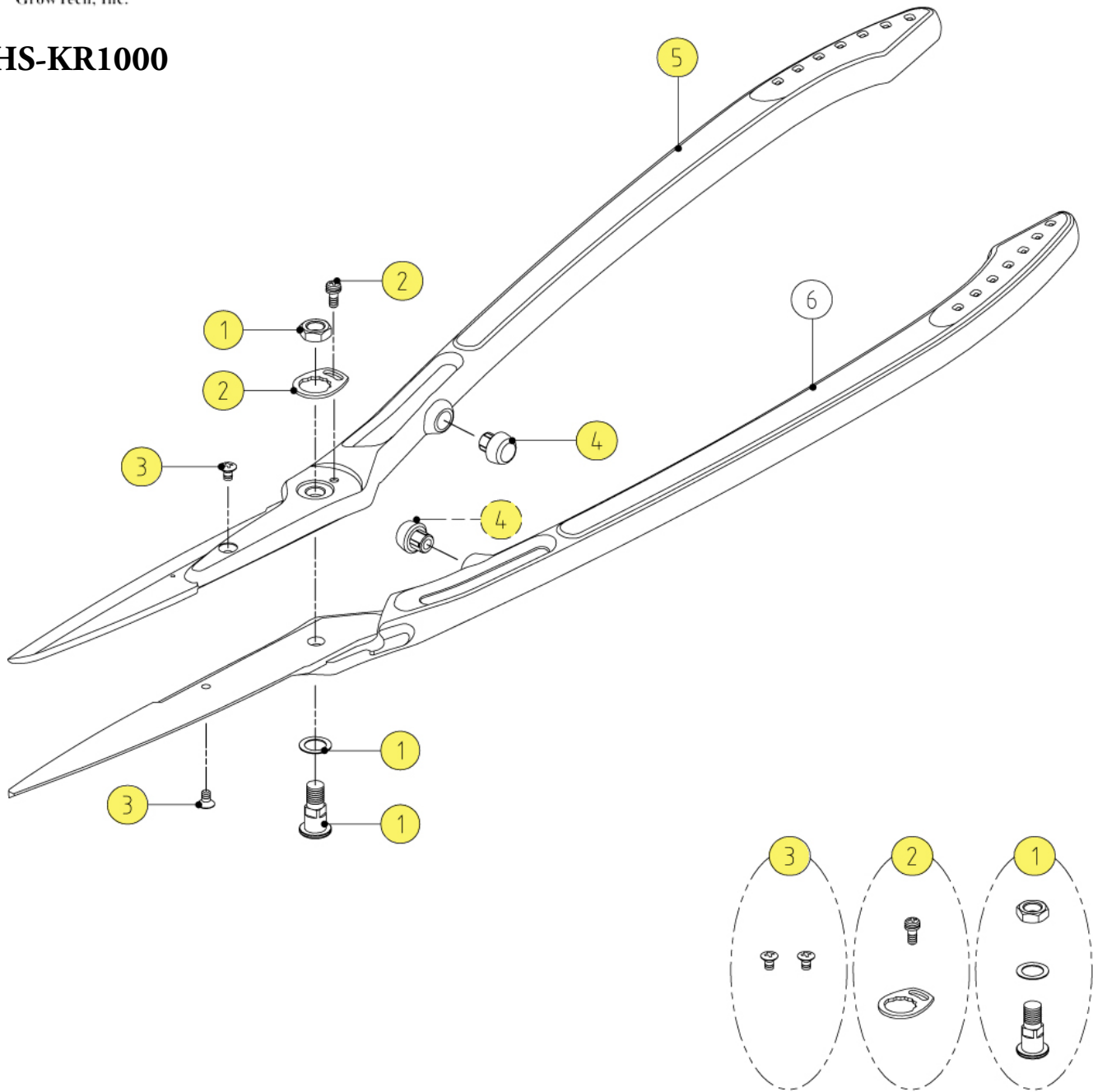
-
1. **SP-80058** Bolt & Nut

*All highlighted items are available from inventory.
All others are available by Special Order.*



HEDGE SHEARS

HS-KR1000



-
- 1. **SP-KR437** Bolt, Nut, & Washer
 - 2. **SP-KR442** Screw retainer Set
 - 3. **SP-KR438** Blade Fixing Screw (2 pcs.)
 - 4. **SP-KR439** Rubber Cushion (1 pc.)
 - 5. **SP-KR440** Right Grip
 - 6. Left Grip

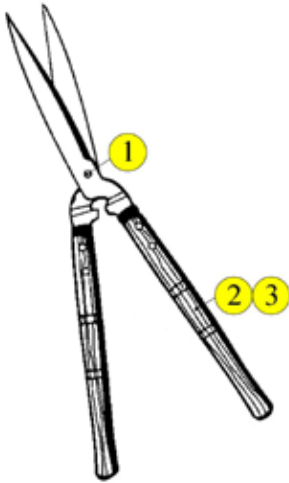
BLADE SETS:
SP-KR10001 Replacement Blade Set

*All highlighted items are available from inventory.
 All others are available by Special Order.*



HEDGE SHEARS

HSK-372/HSK-375



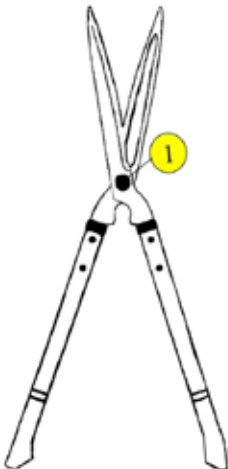
1. **SPK-372BNN** Center Bolt & Nut
2. **SPK-372H** Wood Handle for HSK-372 (includes 2 nails)
3. **SPK-375H** Wood Handle for HSK-375 (includes 2 nails)

HSK-N226



1. **SPK-372BNN** Center Bolt & Nut (Silver Color)
2. **SPK-N226RB** Rubber Bumper

HSK-N352



1. **SPK-372BNN** Center Bolt & Nut (Silver Color)

*All highlighted items are available from inventory.
All others are available by Special Order.*

