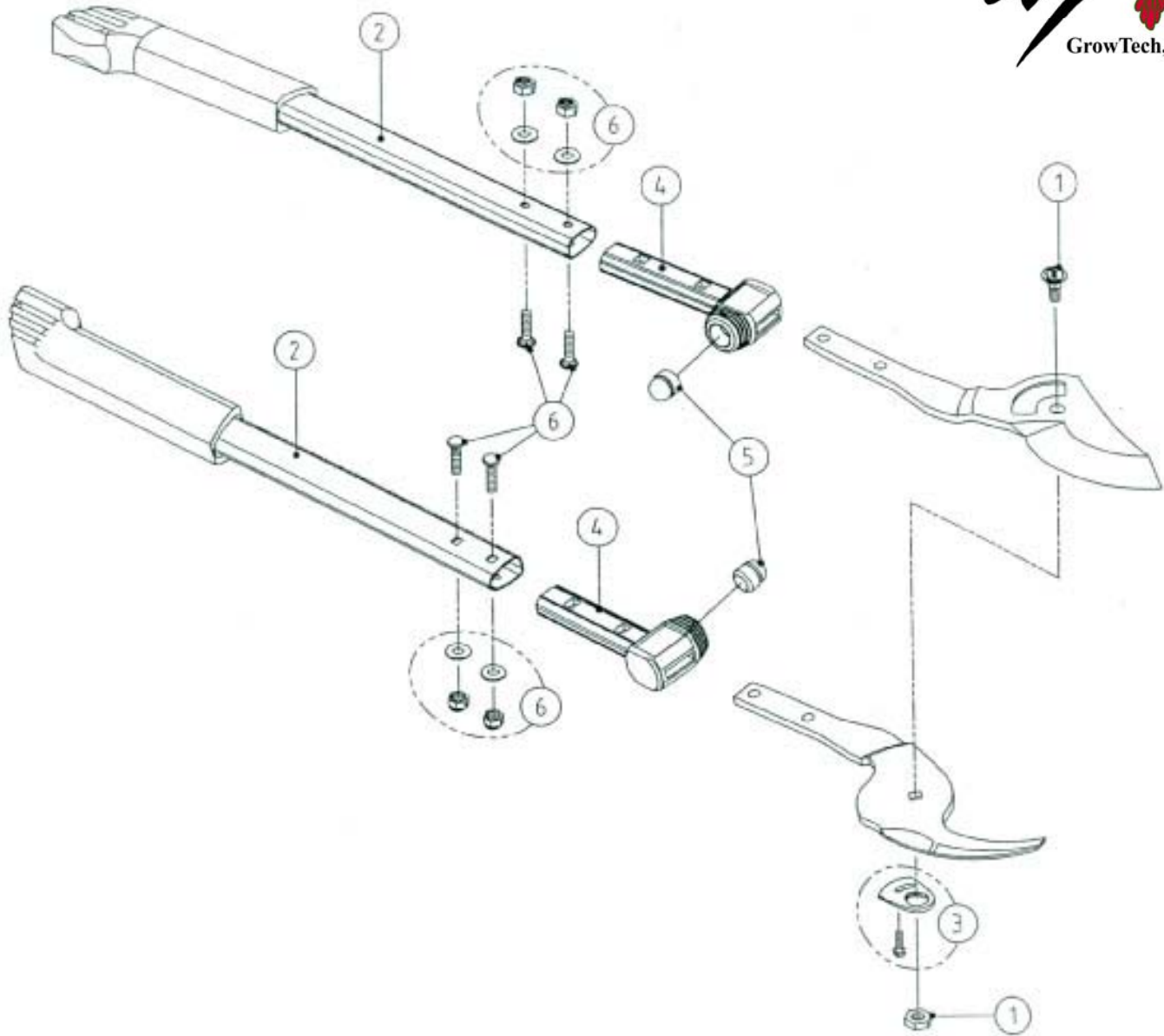


LP-40

SPARE PARTS DIAGRAM



1. Center Bolt & Nut
2. Pipe with Grip
3. Screw Retainer Set
4. Bumper Socket (does not include rubber bumper)
5. Rubber Bumper
6. Blade Holding Bolt & Nut

*All highlighted items are available from inventory.
All others are available by Special Order.*