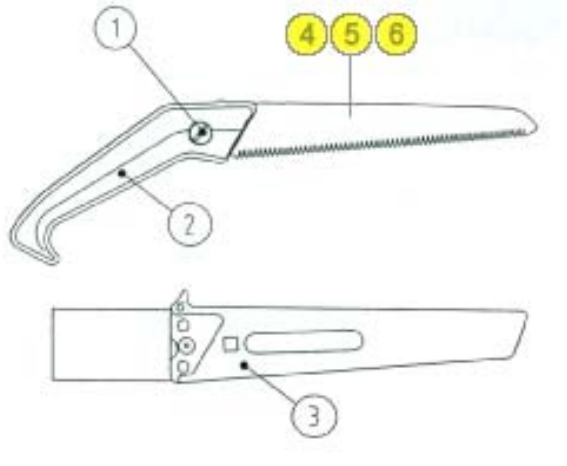


# SA-CAM18/18L/18LN SPARE PARTS DIAGRAM



1. Bolt & Nut
2. Grip for SA-CAM18LN (Red)
3. Sheath for SA-CAM18/CAM18L (Black)
4. SB-P181 Blade for SA-CAM18
5. SB-P18L1 Blade for SA-CAM18L
6. SB-18LN1 Blade for SA-CAM18LN

*All highlighted items are available from inventory.  
All others are available by Special Order.*