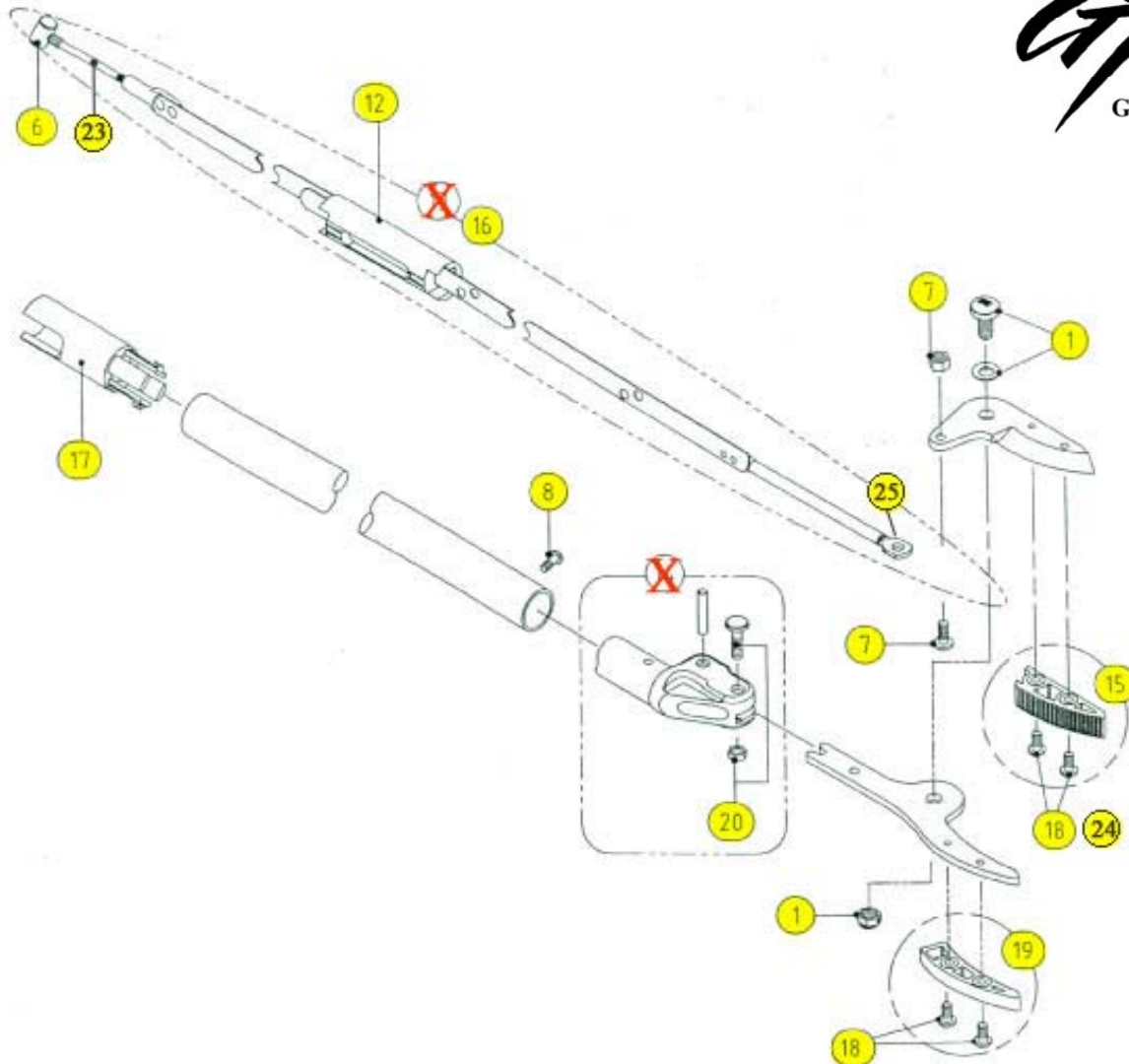


ZK-Series (Discontinued) - Page 1 of 2

SPARE PARTS DIAGRAM

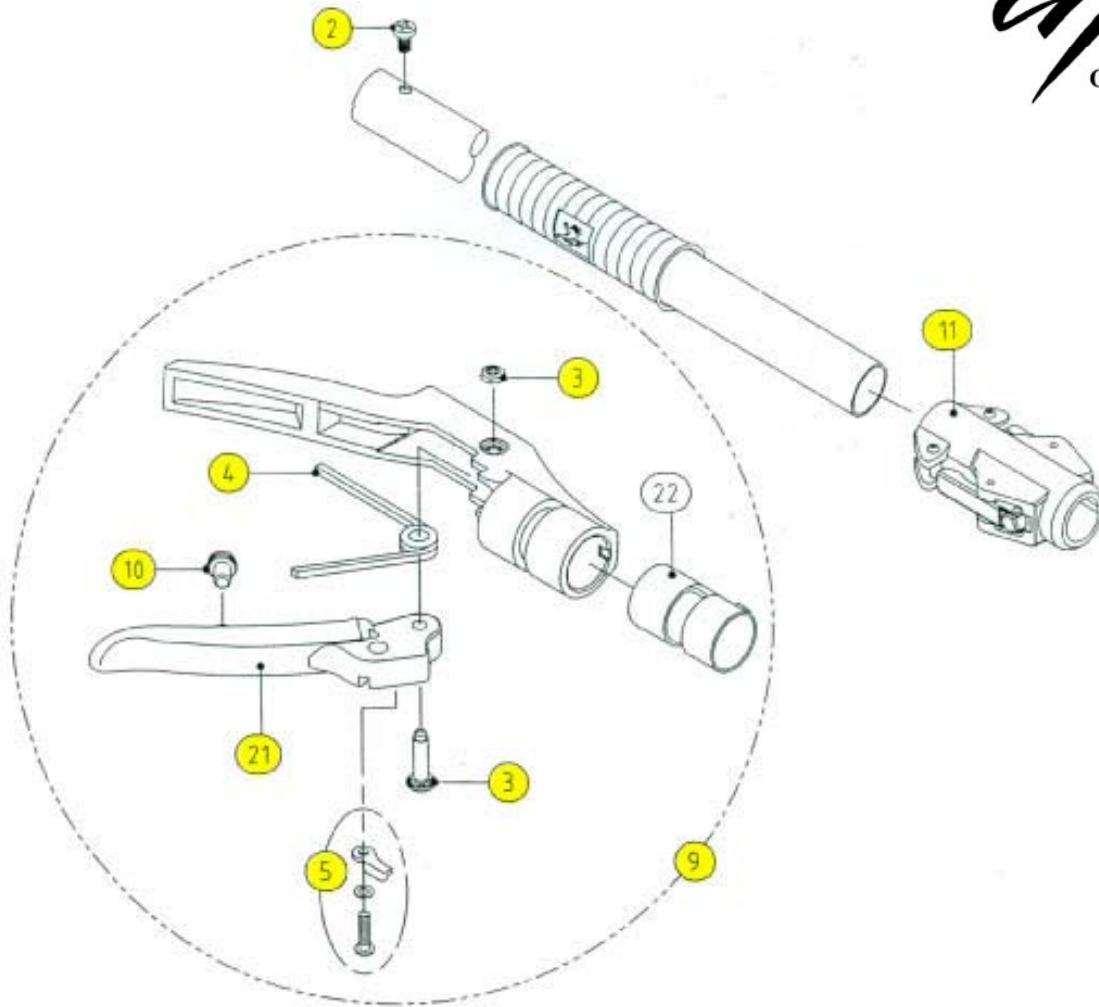


- | | | | |
|---------------------|--|--------------------|---|
| 1. SP-LA30 | Pivot Bolt for Blade Sets | 17. SP-LA166 | End Cap for Upper Pipe (white cylindrical insert that attaches to bottom of upper pipe) |
| 6. SP-LA43 | End Cylinder for Rod | 18. SP-LA202 | Screw for Holding Device for 160 Head |
| 7. SP-LA299 | Screw Set. (Connects blade to rod) | 19. SP-LA296 | Holding Device for Counter Blade for 160 Head |
| 8. SP-LA283 | Screw to attach plastic insert to pipe | 20. SP-LA75 | Screw (Connects blade to plastic insert) |
| 12. SP-LA130 | Inner Case (white plastic cylinder – NOTE: requires special tools and equipment to reassemble slides – consider replacing extension slide) | 23. SP-R160Z | Short Rod (connects extension slide to handle) (includes SP-LA43/end cylinder) |
| 13. SOLD OUT | Extension Slide for 305/315 | 24. SP-LA36 | Holding Device Set for 190 Head (with 2 screws) (red plastic – includes both pieces) |
| 14. SOLD OUT | ZK Insert Set | 25. SP-LA45 | Rod End Cap. (Bolt with loop to attach blade to rod) |
| 15. SP-LA160HD | Holding Device with 2 screws for Cutting Blade for 160 Head (red plastic – cutting side only) | | |
| 16. SP-LA164 | Extension Slide for 203/213 (includes inner case, short rod - which includes rod end cap, and 2 slides) | BLADE SETS: | |
| | | SP-160ZT1 | Replacement Cut & Hold Blade Set |
| | | SP-180ZT1 | Replacement Razor Edge Blade Set |
| | | SP-183ZT1 | Replacement Anvil Pruner Blade Set |
| | | SP-190ZT1 | Replacement Shearing Blade Set with |

*All highlighted items are available from inventory.
All others are available by Special Order.*

ZK-Series (Discontinued) - Page 2 of 2

SPARE PARTS DIAGRAM



- | | | |
|-----|-----------|--|
| 2. | SP-LA39 | Stop Screw for Handle |
| 3. | SP-LA40 | Pivot Bolt for Handle |
| 4. | SP-LA101 | Spring for Handle |
| 5. | SP-LA42 | Latch Lock Set for Handle |
| 9. | SP-LA79 | Complete Handle Set
(includes spring, latch lock set, pivot bolt, shock absorber, grip lever, stop screw, sleeve for grip, and grip handle) |
| 10. | SP-LAXRC | Shock Absorber for Handle |
| 11. | SP-LAZT99 | Joint Case
(includes 2 screws, 2 plastic inserts, and joint case) |
| 21. | SP-LA145 | Grip Lever Only for Handle |
| 22. | | Sleeve for Grip |

***All highlighted items are available from inventory.
All others are available by Special Order.***